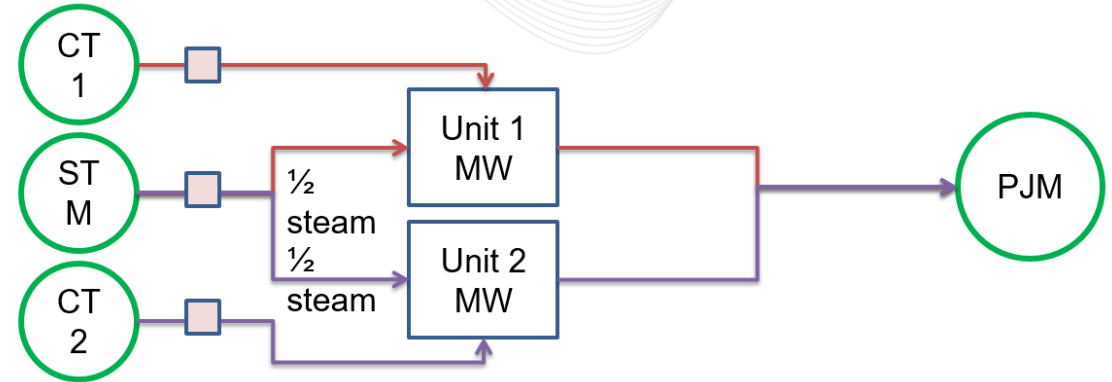


# Virtual Combined Cycle Units in Regulation

Michael Olaleye  
Real-Time Market Operations  
Market & Reliability Committee  
January 26, 2022

- Combined Cycle can be modeled as multiple virtual Market units
- There is a possibility for unbalanced or unequal regulation awards to each “unit”
- Vistra has provided education on operational and technical challenges resulting from the unequal regulation awards.



- To minimize the frequency of unbalanced regulation market awards:
  - Market Sellers may submit identical MW and price offers in both the regulation and the energy markets
  - Resources may use Performance Group for equal Historic Performance Score.

$$\begin{aligned}
 \text{Adjusted Total Offer Cost (\$)} &= \frac{\left( \begin{array}{c} \text{Capability} \\ \text{Cost} \end{array} + \begin{array}{c} \text{Performance} \\ \text{Cost} \end{array} + \begin{array}{c} \text{Lost} \\ \text{Opportunity} \\ \text{Cost} \end{array} \right)}{\left( \begin{array}{c} \text{Benefits Factor of} \\ \text{Offered Resource} \end{array} \right) * \left( \begin{array}{c} \text{Historic} \\ \text{Performance} \\ \text{Score} \end{array} \right)}
 \end{aligned}$$

- Extend the logic of Regulation performance group performance sharing to the historic performance score (100 hour rolling average). This will ensure resource(s) in performance groups have the same historic performance score for clearing purposes.
- Status Quo
  - PJM will calculate the performance group hourly performance score and extend it to each market resource with assigned regulation for the given hour
- Proposed
  - In addition to the status quo
  - PJM will calculate the performance group historic performance score and extend it to each market resource in the performance group

# Performance Group Scoring Proposal Example

## STATUS QUO

## PROPOSAL

### Hourly PS – Markets Gateway

Performance Group (PG) = hourly score

Copy down PG hourly score to resource(s) that provided regulation in that hour



Resource 1 = PG hourly score  
Resource 2 = PG hourly score

Performance Group (PG) = hourly score

Copy down PG hourly score to resource(s) that provided regulation in that hour



Resource 1 = PG hourly score  
Resource 2 = PG hourly score

### Daily PS – Regulation Clearing

Resource 1 (R1) = rolling 100 hours average for R1  
Resource 2 (R2) = rolling 100 hours average for R2

**\* Daily scores can be different if R1 and R2 didn't always provide regulation together**

Performance Group (PG) = rolling 100 hours average for PG



Copy down to resource(s) in PG

Resource 1 (R1) = PG daily score  
Resource 2 (R2) = PG daily score



- PJM will calculate the performance group hourly performance score and extend it to each market resource with assigned regulation for the given hour
- PJM will calculate the performance group historic performance score and extend it to each market resource in the performance group

#### **4.5.7 Use of Performance Groups in the Performance Score**

Resources may elect to use a performance group for performance score evaluation.

Performance groups can only be created for resources that satisfy one of the following criteria:

- Resources not eligible for LOC and total to less than or equal to 10 MW across Transmission Owner boundaries.
- A performance group can be any number of resources not eligible for LOC inside a Transmission Owner's boundary.
- Resources within a fleet with equivalent applicable offers and point of interconnection.

Resources that are part of a performance group will send the Operational Midpoints and Resource Allocation of the group TReg for the grouped resources by signal type as described in Section 4.4.2, Regulation Signals. Each resource will be metered independently.

#### **PJM Actions**

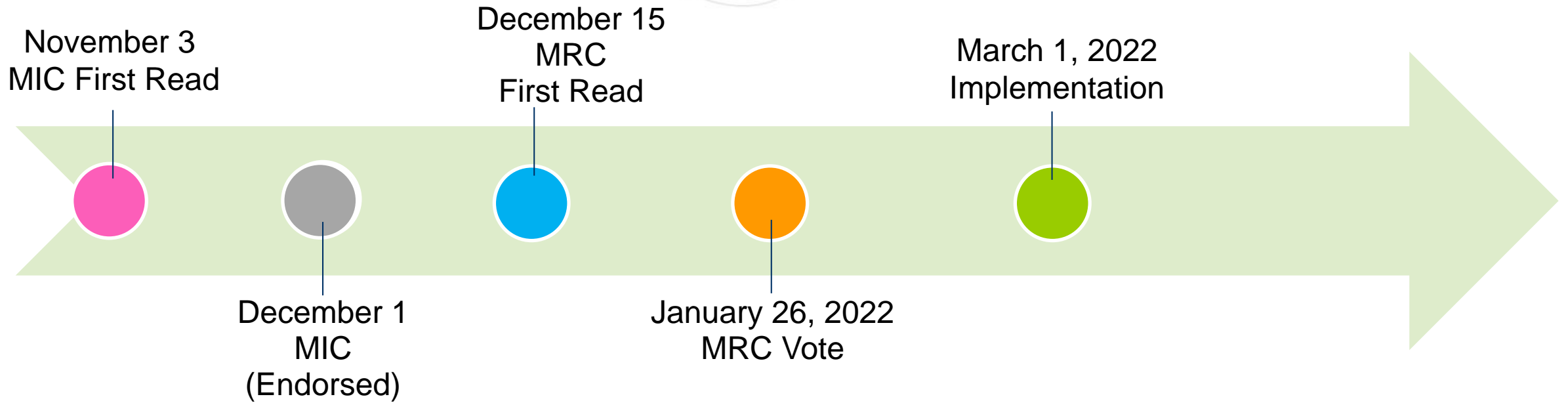
- PJM will receive additional control data to be used in the performance score calculation to be reflected resource owner's dispatch.

\* **Insert the proposed language inclusion here**

#### **PJM Member Actions**



- The proposed change to the logic of the performance group historic performance score has no impact on settlement credit for the resource
  - Settlement uses 5 minute actual performance score
- To initialize the performance group historic performance score, we will use the average of the historic performance score of the market resources in the performance group.
- No governing document changes required.
- In a rare situation when resources of a performance group have unequal awards
  - Resource owner may contact PJM dispatch to deassign or lower the awards to be equal across all virtual units or to a level that the plant can safely perform to.
  - Dispatch will not split awarded MWs across virtual units.





SME/Presenter: Michael Olaleye  
Michael.Olaleye@pjm.com

SMEs:

Thomas DeVita  
Thomas.DeVita@pjm.com

Danielle Croop  
Danielle.Croop@pjm.com

Phil D'Antonio  
Philip.D'Antonio@pjm.com

Glen Boyle  
Glen.Boyle@pjm.com

## Virtual Combined Cycle Units in Regulation



### Member Hotline

(610) 666 – 8980

(866) 400 – 8980

custsvc@pjm.com

**PROTECT THE  
POWER GRID  
THINK BEFORE  
YOU CLICK!**



Be alert to  
malicious  
phishing emails.

**Report suspicious email activity to PJM.**  
(610) 666-2244 / [it\\_ops\\_ctr\\_shift@pjm.com](mailto:it_ops_ctr_shift@pjm.com)

