



Working to Perfect the Flow of Energy

PJM Manual 14D:
**Generator Operational
Requirements**

Revision: 28

Effective Date: July 1, 2014

Prepared by:
Generation Department

© PJM 2014

PJM Manual 14D:
Generator Operational Requirements

Table of Contents

Table of Contents	ii
Table of Exhibits	vi
Approval	1
Current Revision	1
Introduction	2
ABOUT PJM MANUALS.....	2
ABOUT THIS MANUAL.....	2
<i>Intended Audience</i>	2
<i>References</i>	3
USING THIS MANUAL	3
<i>What You Will Find In This Manual</i>	4
Section 1: Generator Markets and Operations	5
1.1 GENERATOR INTERCONNECTION PROCESS: MARKETS AND OPERATIONS PHASE	5
1.2 GENERATOR COMMERCIAL NAMING CONVENTION	7
Section 2: Responsibilities of Generation Owners	8
2.1 GENERATOR OWNERS' RESPONSIBILITIES.....	8
Section 3: Control Center Requirements.....	11
3.1 PJM CONTROL CENTER CATEGORIES FOR GENERATING ENTITIES	11
3.2 CONTROL CENTER REQUIREMENTS FOR GENERATING ENTITIES	11
3.2.1 <i>Computer System Requirements</i>	12
3.2.2 <i>Communications Requirements</i>	12
3.2.3 <i>Facilities Requirements</i>	12
3.2.4 <i>Control Center Staffing Requirements</i>	12
3.3 VOICE COMMUNICATION REQUIREMENTS FOR GENERATING ENTITIES	13
3.3.1 <i>Dispatch Voice and Facsimile Communications</i>	13
Section 4: Data Exchange and Metering Requirements	14
4.1 COMPUTER SYSTEM DATA EXCHANGE.....	14
4.1.1 <i>PJMnet Communications System</i>	14
4.1.2 <i>Energy Management System (EMS)</i>	14
4.1.3 <i>PJM EMS Communication Protocols</i>	15
4.1.4 <i>EMS Data Exchange</i>	15
4.1.5 <i>EMS Model</i>	16
4.1.6 <i>SCADA—Supervisory Control and Data Acquisition</i>	16
4.2 DATA MANAGEMENT AND METERING REQUIREMENTS	21
4.2.1 <i>Data Management and Security</i>	21
4.2.2 <i>Metering Plan</i>	22
4.2.3 <i>Metering for Individual Generators</i>	23
4.3 SYNCHROPHASOR COMMUNICATION SYSTEM.....	24
Section 5: Participation in PJM Markets	29
5.1 MARKETING OPTIONS	29



5.1.1 PJM Wholesale Energy Market	29
5.1.2 PJM Regulation Market.....	29
5.1.3 PJM Reserve Markets.....	30
5.1.4 PJM Capacity Market.....	30
5.2 ANCILLARY SERVICES	30
5.2.1 Reactive Supply and Voltage Control from Generating Sources Service	30
5.2.2 Regulation and Frequency Response Service	30
5.3 MARKETING TOOLS.....	31
5.3.1 eMKT.....	31
5.3.2 PJM inSchedule	31
5.3.3 PJM eRPM.....	31
5.3.4 eDART	31
5.3.5 eGADS.....	31
5.3.6 eDATA.....	32
5.4 DESCRIPTION OF THE TWO-SETTLEMENT SYSTEM.....	32
5.4.1 Market Participants	32
5.4.2 The Day-Ahead Market.....	32
5.4.3 The Real-Time Balancing Market	32
5.4.4 Grid Accounting	33
5.5 PRE-SCHEDULING AND SCHEDULING	35
5.6 UNIT COMMITMENT	35
5.6.1 Process	35
5.6.2 Data Requirements	35
Section 6: Pre-Operational Requirements	37
6.1 DATA EXCHANGE TESTING	37
6.1.1 Introduction	37
6.1.2 Test Requirements for Member Company New Generator Management Systems (GMS).....	37
6.1.3 Communications Considerations	38
6.1.4 Offline Test.....	38
6.1.5 Online Test.....	39
6.1.6 Dispatcher Testing Procedure and Computer-to-Computer Testing	39
6.2 TRAINING AND SYSTEM OPERATOR CERTIFICATION	40
6.2.1 Training	40
6.2.2 PJM System Operator Certification	40
6.3 COORDINATION WITH DISPATCH	40
6.3.1 Operation	40
6.3.2 Communication	41
6.3.3 Test Energy.....	41
6.3.4 Other Requirements.....	42
Section 7: Generator Operations	44
7.1 DISPATCHING OF GENERATION.....	44
7.1.1 Generator Real-Power Control	44
7.1.2 Voltage and Reactive Control	44
7.1.3 Notification to PJM for Reactive Power Resource Status during Unit Start-up	45
7.1.4 Generator Operation under Constrained System Conditions.....	46
7.1.5 Generator Operation under Emergency Operating Conditions	46
7.1.6 Black Start.....	49
7.2 SWITCHING REQUIREMENTS	50
7.3 CRITICAL INFORMATION AND REPORTING REQUIREMENTS	50
7.3.1 Planned Outage	50
7.3.2 Maintenance Outage.....	51
7.3.3 Unplanned Outage.....	51
7.3.4 Generating Unit Reactive Capability Reporting	52



7.3.5 Fuel Limitation Reporting	53
7.4 SYNCHRONIZATION AND DISCONNECTION PROCEDURES	56
Section 8: Wind Farms Requirements	57
8.1 COMPUTER SYSTEM DATA EXCHANGE	57
8.2 WIND FARM DATA REQUIREMENT FOR WIND POWER FORECASTING	58
8.2.1 Initial Data Requirements	58
8.2.2 Aggregate Real Time Output	58
8.2.3 Real Time Meteorological Tower (or mutually agreed upon alternative source)	58
8.2.4 Generator Outage Reporting (Aggregate Turbine availability)	59
8.2.5 Grid Capacity Limit (Constraints or Economic Curtailments)	59
8.2.6 Wind Power Forecast	59
8.3 FORECAST DATA USAGE	60
8.3.1 Real-time Reliability Assessment	60
8.3.2 Day-ahead Reliability Assessment	60
8.3.3 Real-time Operating Reserve Settlement	60
Section 9: Generator Deactivations	61
9.1 GENERATOR DEACTIVATION PROCESS	61
9.1.1 Generator Deactivation Request	61
9.1.2 Initial Analysis	61
9.1.3 Analysis Results	62
9.2 COMPENSATION TO GENERATORS REQUESTED TO REMAIN IN SERVICE FOR RELIABILITY	63
Section 10: Black Start Generation Procurement	65
10.1 BLACK START SELECTION PROCESS	65
10.1.1 Frequency	65
10.1.2 Selection Process	65
10.2 BLACK START INCREMENTAL RFP PROCESS	69
10.2.1 Initial Black Start Commitment	69
10.2.2 Incremental RFP Process Step 1	70
10.2.3 Incremental RFP Process Step 2	70
10.2.4 Incremental RFP Process Step 3	70
10.2.5 Incremental RFP Process Step 4	70
10.2.6 Incremental RFP Process Step 5	72
Section 11: Generator Data Confidentiality Procedures	73
11.1 GENERATOR DATA CONFIDENTIALITY PROCEDURES	73
11.1.1 Generator Data within a Transmission Owner's Zone	73
11.1.2 Generator Data outside a Transmission Owner's Zone	73
11.1.3 Process to Authorize Release of Real-Time Generation Data	74
11.1.4 Process to Authorize Release of Scheduled Generation Outage Data	75
11.1.5 Executing a Data Confidentiality Agreement	75
11.1.6 PJM Evaluation of Data Request	76
11.1.7 Dispute Resolution	76
Attachment A: New Generator Checklist	77
Attachment B: New PJMnet Customer Implementation Voice/Data Communications Template	81
OBJECTIVE	81
Attachment C: New PJM Customer Voice/All Call Communications Request Form	86
Attachment D: PJM Generating Unit Reactive Capability Curve Specification and Reporting Procedures	87

Attachment E: PJM Generator Reactive Capability Testing	91
OBJECTIVE	91
GENERAL REQUIREMENTS	91
TESTING REQUIREMENTS FOR NON-WIND UNITS GREATER THAN 70 MW AND BLACK START UNITS.....	92
FOR WIND GENERATING STATIONS WITH AN AGGREGATE NAMEPLATE RATING GREATER THAN 70 MW .	93
NOTIFICATION AND REPORTING REQUIREMENTS	95
<i>Test Cancellation</i>	97
<i>Voltage Schedules</i>	97
EXIT STRATEGY.....	98
<i>Risk</i>	98
<i>Requirements</i>	98
<i>Parameters</i>	98
POST-TEST EVALUATION	98
<i>Test Evaluation</i>	98
<i>Units Testing Within 5% of Stated Limits</i>	99
<i>Units Testing Over 5% of Stated Limits</i>	99
<i>Units Testing Below 5% of Stated Limits</i>	99
GLOSSARY	100
Attachment F: Generator Reactive Capability Test Study Process	103
OBJECTIVE	103
<i>Study Process – Example</i>	103
Attachment G: PJM Generator Markets and Operations Process Flow Diagram	108
Attachment H: PJM Generation and Transmission Interconnection Planning Process Flow Diagram	109
Attachment I: Generator Data Confidentiality Agreement.....	110
Attachment J: Generator – Data Release Matrix	126
Attachment K: Template Letter for a Transmission Owner Seeking Generator Data Within its Zone to be Released by PJM.....	127
Attachment L: Wind Farm Communication Model	128
Attachment M: Wind Unit Dispatchability Check List.....	130
Appendix A: Behind the Meter Generation Business Rules	133
DEFINITION AND PURPOSE OF BEHIND-THE-METER GENERATION (BTMG)	133
ELIGIBILITY FOR BTM NETTING	133
BTM NETTING – GENERAL RULES	133
PARTICIPATION IN LOAD MANAGEMENT PROGRAMS.....	135
GENERATION NETTED AGAINST LOAD.....	135
BTM NETTING – NON-RETAIL PARTICIPATION	136
BTM ADJUSTMENT PROCESS	137
Revision History.....	139



Table of Exhibits

EXHIBIT 1: GENERATOR MARKETS AND OPERATIONS PROCESS FLOW AND TIMELINE	7
EXHIBIT 2: SUMMARY OF EMS DATA REQUIREMENTS AND EXCHANGE RATES	16
EXHIBIT 3: GUIDELINES FOR METERING INSTALLATION.....	18
EXHIBIT 4: EQUIPMENT TYPES FOR DATA EXCHANGE WITH PJM.....	19
EXHIBIT 5: TYPICAL MULTI-UNIT METERING AND DATA FLOW CONFIGURATION	20
EXHIBIT 6: PJM REAL-TIME AND REVENUE DATA PRECISION REQUIREMENTS	20
EXHIBIT 7: GO-PDC TO PJM NETWORK.....	27
EXHIBIT 8: APPLICABLE SERVICES AS DEFINED BY MARKET PARTICIPATION	34
EXHIBIT 9: CRITERIA FOR DETERMINING CAPACITY SHORTAGE EMERGENCY CONDITIONS	48
EXHIBIT 10: CRITERIA FOR DETERMINING LIGHT LOAD EMERGENCY CONDITIONS	49
EXHIBIT 11: SAMPLE DATA (FUEL BASELINE)	54
EXHIBIT 12: GENERATION DEACTIVATION PROCESS FLOW	64
EXHIBIT 13: PROCESS TO APPROVE REAL-TIME DATA REQUEST – DECISION POINTS WITH DEFINITIONS	74
EXHIBIT 14: PROCESS TO APPROVE SCHEDULED OUTAGE DATA REQUEST – DECISION POINTS WITH DEFINITIONS	75
EXHIBIT 15: NEW GENERATION CHECKLIST PAGE 1 OF 3	77
EXHIBIT 16: NEW GENERATION CHECKLIST PAGE 2 OF 3	78
EXHIBIT 17: NEW GENERATION CHECKLIST PAGE 3 OF 3	80
EXHIBIT 18: PJM UNIT REACTIVE CAPABILITY CURVE DATA FORMAT	88
EXHIBIT 19: PJM REACTIVE RESERVE CHECK (RRC).....	90
EXHIBIT 20: VOLTAGE ACTUALS PRIOR TO TEST	104
EXHIBIT 21: OPEN-ENDED LINE VOLTAGE SETUP DISPLAY	105
EXHIBIT 22: VOLTAGE ACTUALS PRIOR TO MITIGATION STEPS.....	106
EXHIBIT 23: VOLTAGE ACTUALS AFTER MITIGATION STEPS.....	107
EXHIBIT 24: PJM GENERATOR MARKETS AND OPERATIONS PROCESS OVERVIEW	108
EXHIBIT 25: IMPLEMENTATION TEAM ROLE CLARITY DIAGRAM	109
EXHIBIT 26: WIND FARM COMMUNICATION MODEL 1	128
EXHIBIT 27: WIND FARM COMMUNICATION MODEL 2	129



Approval

Approval Date: 06/26/2014

Effective Date: 07/01/2014

David Schweizer, Manager
Generation Department

Current Revision

Revision 28 (07/01/2014):

- Multiple Locations: Replaced references to eMeter with Power Meter
- Section 4.1.1, PJMnet Communications System and Exhibit 3, Guidelines for Metering Installation: Revised per PJM Operating Committee “Member Communication Issue” special meetings (a.k.a. – additional PJMnet connections) and resultant PJM Operating Agreement and Tariff changes approved by FERC effective April 7, 2014.
- Section 4.3: New section for Synchrophasor Communication System resulting from PJM Tariff changes approved by FERC effective December 26, 2013.
- Attachment A, New Generator Check List: Added references to Synchrophasors

Introduction

Welcome to the *PJM Manual for Generator Operational Requirements*. In this Introduction you will find information about PJM Manuals in general, an overview of this PJM Manual in particular, and information on how to use this manual.

About PJM Manuals

The PJM Manuals are the instructions, rules, procedures, and guidelines established by PJM for the operation, planning, and accounting requirements of the PJM Balancing Authority and the PJM Energy Market. The manuals are grouped under the following categories:

- Transmission
- PJM Energy Market
- PJM Regional Transmission Planning Process
- Reserve
- Accounting and Billing
- PJM administrative services
- Miscellaneous

For a complete list of all PJM Manuals, go to www.pjm.com and select “Manuals” under the “Documents” menu.

About This Manual

The *PJM Manual for Generator Operational Requirements* is one of the PJM procedure manuals. This manual focuses on the generator markets and operations requirements for generating entities to connect to the PJM system and their responsibilities as signatories to the Operating Agreement of PJM Interconnection, L.L.C.

This manual also refers to other PJM manuals, which define in detail the telecommunication protocols, redundancy requirements, accuracy and periodicity of data, generator obligations, reporting requirements, market participation requirements, and accounting procedures established to ensure reliable operation.

The *PJM Manual for Generator Operational Requirements* consists of 11 sections, 13 attachments (labeled A through M), and one appendix (Appendix A). All are listed in the table of contents beginning on page ii.

In addition, a process flow diagram is included (Attachment G) summarizing the Generator and Markets Operations process and timelines.

Intended Audience

The intended audiences for this PJM Manual for Generator Operational Requirements are:

- Applicants to the Operating Agreement of PJM Interconnection, L.L.C.

- Generation Owners or those interested in siting and building generation in the PJM Balancing Authority.
- Operations planning staff and plant personnel for generating entities
- PJM Members
- PJM staff

References

There are other PJM documents that provide both background and detail on specific topics. These documents are the primary source for specific requirements and implementation details. This manual does not replace any of the information in those reference documents. The references for the *PJM Manual for Generator Operational Requirements* are:

- **PJM Operating Agreement**
- PJM Manual for [Control Center and Data Exchange Requirements \(M-1\)](#).
- PJM Manual for [Transmission Operations \(M-3\)](#).
- PJM Manual for [Energy Management System \(EMS\) Model Updates and Quality Assurance \(QA\) \(M-03A\)](#).
- PJM Manual for [Pre-Scheduling Operations \(M-10\)](#).
- PJM Manual for [Energy & Ancillary Services Market Operations \(M-11\)](#).
- PJM Manual for [Balancing Operations \(M-12\)](#).
- PJM Manual for [Emergency Operations \(M-13\)](#).
- PJM Manual for [Generation and Transmission Interconnection Process \(M14-A\)](#).
- PJM Manual for [PJM Regional Transmission Planning Process \(M-14B\)](#).
- PJM Manual for [Generation and Transmission Interconnection Facility Construction \(M14-C\)](#).
- PJM Manual for [Rules and Procedures for Determination of Generating Capability \(M-21\)](#).
- PJM Manual for [Open Access Transmission Tariff Accounting \(M-27\)](#).
- PJM Manual for [Operating Agreement Accounting \(M-28\)](#).
- PJM Manual for [Billing \(M-29\)](#).
- PJM Manual for [Administrative Services for the PJM Interconnection Agreement \(M-33\)](#).
- PJM Manual for [Definitions and Acronyms \(M-35\)](#).
- PJM Manual for [Training and Certification Requirements \(M-40\)](#).

Using This Manual

We believe that explaining concepts is just as important as presenting procedures. This philosophy is reflected in the way we organize the material in this manual. We start each

section with the “big picture.” Then we present details, procedures or references to procedures found in other PJM manuals.

What You Will Find In This Manual

- A table of contents that lists two levels of subheadings within each of the sections and attachments
- An approval page that lists the required approvals and a brief outline of the current revision
- Sections containing the specific guidelines, requirements, or procedures including PJM actions and PJM Member actions
- Attachments that include additional supporting documents, forms, or tables
- A section at the end detailing all previous revisions of this PJM Manual

Section 1: Generator Markets and Operations

Welcome to the Generator Markets and Operations section of the PJM Manual for Generator Operational Requirements. This section presents the following information:

- A summary of the Markets and Operations phase of the Generator Interconnection Process (see “*Generator Interconnection Process: Markets and Operations Phase*”).
- Rules for assigning a commercial plant/unit name to new generation (see “*Generator Commercial Naming Convention*”).

1.1 Generator Interconnection Process: Markets and Operations Phase

The Generator Markets and Operations phase is initiated during the Interconnection Service Agreement (ISA) and Construction Service Agreement (CSA) implementation phase of the generator interconnection process. The Interconnection Coordination (IC) Project Manager coordinates the activities of PJM Internal Coordination (Operations Planning, System Operations, Member Relations, PJMnet, EMS) and the Generation Owner to complete the Generator Markets and Operations activities during this phase. After the ISA and CSA implementation phase, PJM team leadership is transferred from the IC Project Manager to PJM Member Relations (see Attachment H for Implementation Team Role Clarity Diagram).

The table below describes PJM Generator Markets and Operations interconnection process flow and timeline (see Attachment G for PJM Markets and Operations Process Flow Diagram).

Activity	Duration		Manual Reference
	Activity	Cumulative	
Activity 1: PJM Interim Capacity Study A. System planning updates new generation project list with current generator in-service date	(1-10d) 10 days	10 days	-
Activity 2: EMS Model Update A. PJM Transmission and Interconnection Planning provides modeling information and commercial name for plant & units to System Operations B. System Operations submits Model Change requests to Engineering Support for database updates C. New database tested & installed on production EMS	(11-80d) 70 days	80 days	Section 4



Activity	Duration		Manual Reference
	Activity	Cumulative	
Activity 3: Establish Metering Plan A. PJM Client Manager sets up meeting to discuss new generation with customer <ul style="list-style-type: none"> • Project Schedule • Revenue and real-time options • PJM metering requirements • Business plan for unit B. Customer applies for eTool Accounts based on business plan C. Confirm metering plan between Market Settlements, Operations Planning & Market Operations D. Finalize Point Exchange List	(81-100d) 20 days	100 days	Section 4
Activity 4: PJMnet Installation A. PJMnet Telecommunications form sent to customer B. PJMnet form filled and returned by customer C. Customer and PJM technical staff work together to establish the applicable type of connectivity D. PJMnet Installation completed	(101-190d) 90 days	190 days	Section 4
Activity 5: Metering & Communications Installation A. Customer Firewalls complete (if applicable) B. Communication paths for RTU & GMS complete C. PJM Real-Time Operations Support Department and Customer verify telemetered data accuracy.	(181-190d) 10 days	190 days	Section 4
Activity 6: Data Exchange Testing A. Begin Testing with PJM B. Verify data exchange accurate C. Communications Online	(191-200d) 10 days	200 days	Section 6
Activity 7: Confirm Voice, Communications & Dispatch Operations A. PJM technical staff and customer initiates installation of data communications & circuit testing B. Facilities Department installs voice communications for dispatch services	(191-200d) 10 days	200 days	Section 6
Activity 8: Member Relations review Operations Requirements A. Pre-scheduling and Scheduling Requirements B. Unit Commitment C. Dispatching of Generation D. Switching Requirements E. Training and System Operator Certification F. Critical Information and Reporting Requirements G. Compliance with Synchronization and Disconnection Procedures	(191-200d) 10 days	200 days	Section 7
Activity 9: PJM review of Data & Markets A. Market Settlements & operations approve unit	(201-210d) 10 days	210 days	-

Activity	Duration		Manual Reference
	Activity	Cumulative	
plans and establish market accounts			
Activity 10: Capacity Status Granted			
A. Customer applies for Cap Mod status via eRPM	(211-215d)		
B. PJM Resource Adequacy Planning grant capacity status	5 days	215 days	-

Exhibit 1: Generator Markets and Operations Process Flow and Timeline

1.2 Generator Commercial Naming Convention

New generation in PJM is assigned a commercial plant or unit name by PJM and the developer prior to its incorporation in the PJM model. The commercial names must be initiated at the execution of the Interconnection Service Agreement or even earlier based on the nature of the project. The following convention has been established for assigning commercial plant or unit names to new generation projects.

1. The commercial names will be assigned by PJM in collaboration with a representative from the developer, PJM Interconnection Projects, Resource Adequacy Planning, Market Settlements and Generation Departments.
2. Where possible, the commercial names will be associated with the assigned name given by the plant owner to maintain consistency during construction and the future operation of the plant.

NOTE: The name of the developer is generally recognized as unacceptable as future projects by the same developer may cause similar confusion.

3. In the event that existing units are already named after the assigned name given by the plant owner, and it is deemed inappropriate to add additional sequential numbers to the existing units' naming convention, a local geography name (in a Township, Borough or Town designation) or PJM substation will be used based on the physical location of the generation.
4. In the event that a local geography name has already been used in another part of PJM, a local landmark will be identified and used for the PJM naming convention.
5. In any event, the generator name will be unique and differentiate itself from other names already used within the PJM system, or neighboring systems if known.
6. The assigned PJM name will be circulated by the Generation Department to Interconnection Projects, Resource Adequacy Planning, Member Relations, Performance Compliance and Market Settlements departments for sign off/ approval before publication to all of PJM and the customer. After the final sign off is received, the Generation Department will circulate the name, queue number, etc. to all PJM appropriate parties and the customer.

Section 2: Responsibilities of Generation Owners

Welcome to the *Responsibilities of Generation Owners* section of the *PJM Manual for Generator Operational Requirements*. In this section you will find the following information:

- A listing of significant obligations of Generation Owners in the PJM Balancing Authority (see “*Generator Owners’ Responsibilities*”).

2.1 Generator Owners’ Responsibilities

A Generation Owner in PJM is a Member that owns or leases with rights equivalent to ownership facilities for the generation of electric energy that are located within the PJM Balancing Authority. Membership in PJM entails execution of the Operating Agreement and satisfactions of the data requirements, operational and market coordination, committee support and financial obligations contained within the agreement.

The responsibilities for a Generator Owner within PJM that are defined below are required to maintain the safe and reliable operation of the PJM Interconnection. The generator owner under PJM’s direction takes all actions possible to maintain PJM Interconnection reliability. The responsibilities identified below are consistent with the NERC Reliability Functional Model and NERC Reliability Standards.

This list is a collection of significant operational responsibilities and obligations of a Generator Owner that are included in the PJM OA, PJM RAA, PJM West RAA and the PJM Procedure manuals. It is not intended to be an all-inclusive list of every responsibility and obligation of a Generator Owner.

A Generator Owner:

- Is subject to applicable code of conduct and other applicable confidentiality agreements. (PJM OA Section 1, Section 1.7.4a)
- Takes action to maintain local reliability and public safety. (PJM OA Section 1, Section 1.7.4a)
- Operates generation system facilities under the direction of PJM. (PJM OA Section 1, Section 1.7.4f,g)
- Operates generation facilities in accordance with all federal and state regulations and PJM procedures. (PJM OA Section 1, Section 1.7.4f)
- Maintains generation facilities in accordance with good utility practice and PJM standards. (PJM OA Section 1, Section 1.7.4h)
- Establishes capability of its generation facilities and provides this information to PJM if the facilities are designated PJM capacity resources. (PJM Manual M-21 Section 1)
- Provides annual baseline and real time updates of fuel limited generating units to PJM during emergency conditions. (PJM Manual M-13 Section 6.4)
- Complies with the data information and metering requirements established by PJM. (PJM Manual M-14D Section 4, PJM Manual M-01)

- Maintains assigned voltage schedules and responds promptly to specific requests and directions of the PJM dispatcher or the Local Control Center (LCC) dispatcher in event of low/high voltage situations. (PJM Manual M-12 Section 5, PJM Manual M-03, Section 3)
- Follows directions from the LCC for switching interconnection points.
- Helps maintain a reliable transmission system by providing reactive capability curve information to PJM as soon as the information is available. (PJM Manual M-14D, Attachment D and Attachment E)
- Complies with procedures called for by PJM or the LCC in event of operating limit violations and other emergency conditions. (PJM Manual M-13)
- Provides real-time operations information to PJM in compliance with PJM procedures. (PJM Manual M-14D Section 4, PJM Manual M-01)
- Provides information about planned, maintenance and unplanned outages of generation facilities to PJM. (Manual M-10 Section 2,)
- Supplies engineering data for generating unit models to PJM. (PJM Manual M-14A & 14B)
- Develops, documents, and communicates operator guidance, as necessary. (PJM Manual 40 Section 4 Training)
- Plans and coordinates generation outages. (Manual M-10, Section 2)
- Works with PJM to mitigate identified reliability concerns for planned generation outages. (Manual M-10 Section 2)
- Large generating plant owners with market operations centers (MOCs) must maintain continuous staffing and meet all of the communication and information system requirements defined by PJM. (PJM Manual M-01, PJM OA Section 1, Section 1.7.5)
- Personnel Requirements (PJM Manual M-01 Section 2, PJM Manual M-40)
- Generation system operators shall:
 - Be competent and experienced in the routine and abnormal operation of generators within interconnected systems.
 - Be accountable to take any action required to maintain the safe and reliable operation of the generation facility.
 - Have thorough knowledge of PJM procedures and their application.
 - Have a working knowledge of NERC Reliability Standards and how they coordinate with PJM manuals.
 - Have an understanding of routine protection schemes for PJM generation facilities.
 - Have knowledge of how to evaluate desired system response to actual system response.
 - Have knowledge of and be able to evaluate and take action on equipment problems in generation facilities.
 - Have knowledge of the general philosophy of system restoration and the philosophy and procedures of their company as well as that of the pool.

- Have initial and continuing training that addresses the required knowledge and competencies and their application in system operations.
- Have current PJM Generation System Operator Certification
- Plant Personnel should have a working knowledge of switching and tagging procedures for the generation facility.
 - Develops, documents, and maintains switching and tagging procedures. (OSHA 29 CFR Part 1910.269)
 - Is accountable for directing station forces in generation system switching activities.
 - Follows up on significant system events with an investigative process to analyze, document and report on operating abnormalities. (PJM Manual M-13)
 - Generator owners providing black start services will follow procedure outlined by PJM. (PJM Manual M-10 Section 2, PJM Manual M-12 Section 4, PJM Manual M-36)

Section 3: Control Center Requirements

Welcome to the *Control Center Requirements* section of the *PJM Manual for Generator Operational Requirements*. In this section you will find the following information:

- A description of the generation control center categories within PJM (see “*PJM Control Center Categories for Generating Entities*”).
- A summary of control center requirements for generation owners (see “*Control Center Requirements for Generating Entities*”).
- Voice communication requirements for generation owners (see “*Voice Communication Requirements for Generating Entities*”).

This section presents a summarized version of the requirements for control centers established by generating entities for reliable operation in the PJM Balancing Authority. For more details, please refer to the *PJM Manual M-1 for Control Center and Data Exchange Requirements*.

3.1 PJM Control Center Categories for Generating Entities

PJM Members may be involved with transmission operations, generation operations, load service operations, and/or PJM Energy Market participation. For each of these operations, a different control center category has been designated.

For generation operations, the control center category is the Market Operations Center (MOC), which is established by participating generating entities to facilitate their responsibilities regarding the reliability of the PJM RTO.

For each of the services listed, data is exchanged between the MOC, PJM and one or more of the other PJM member control center categories – Local Control Centers (LCCs), Load Service Centers (LSCs), and Marketing Centers, corresponding to Regional Transmission Owners, Load Serving Entities and Marketers.

- Generation Scheduling Services
- EMS Services
- Historical EMS Data Services
- Energy Transaction Services
- Long-term Planning Services
- PJM Administration Services

3.2 Control Center Requirements for Generating Entities

This section discusses the control center requirements for the PJM generating entities, which are similar to those of other PJM members. For efficient and reliable participation in the PJM RTO, the following requirements for the members’ control center computer systems, communications, facilities, and staffing have been established.

3.2.1 Computer System Requirements

The generation owner's MOC serves as the primary operating link to the PJM control center and includes computer system hardware and software that supports their responsibilities under the Agreement. The list below summarizes the computer system requirements for all PJM member control center categories including the MOC.

The control center is required to:

- Achieve a 99.95% availability level for its computer hardware and software
- Prepare and implement a backup and archiving plan
- Follow PJM computer system security procedures
- Follow PJM system maintenance procedures
- Ensure expansion capability of its computer system

3.2.2 Communications Requirements

Telecommunications (voice and data) circuits, which must be reliable and secure, should be tested regularly and/or monitored online, with special attention given to emergency channels.

3.2.3 Facilities Requirements

The MOC facility considerations include the physical space housing operations staff and, if appropriate, a computer room, communications room, and power supply area. The specific implementation of control center facilities considerations should be appropriate for the nature of the computer systems and communications equipment installed. The following list summarizes the facilities requirements for a generation owner.

The control center is required to:

- Provide an environment suitable for its equipment and personnel
- Ensure a stable and secure supply of AC power for its equipment
- Restrict access to its work area to avoid distractions
- Establish a protocol for information flow to control room personnel
- Install smoke and fire detection and protection equipment
- Comply with PJM backup procedures

3.2.4 Control Center Staffing Requirements

MOCs should be staffed 24 hours a day, 7 days a week, with 99.9% availability of personnel who are trained for all normal and emergency situations that are anticipated. Training courses for operations, technical staff and maintenance personnel should be conducted. The PJM Member Relations Department can provide assistance, as required, for training related to PJM operations. Refer to PJM Manual M-40, Training and Certification Requirements for additional information.

As of March 1, 2003, PJM requires all generation and transmission operators who operate on PJM systems to undergo the PJM Certification examination. Further details are provided in PJM Manual M-40 Training and Certification Requirements and Section 6 of this manual.

For details on MOC control room operator staffing levels and operational guidelines as well as staffing guidelines in the event of loss of an EMS, please refer to the PJM Manual M-1 for *Control Center and Data Exchange Requirements*.

3.3 Voice Communication Requirements for Generating Entities

This section summarizes the PJM requirements for primary voice and facsimile communications and alternate voice communications for control centers including the MOCs established by generating entities. Refer to PJM Manual for Control Center and Data Exchange Requirements (M-1), Section 4, Voice Communications for additional details and requirements.

3.3.1 Dispatch Voice and Facsimile Communications

The dispatch voice system provides high-priority voice communications between PJM and various PJM Members. The dispatch voice system consists of the All Call system, ring down circuits, and manual dial circuits. Communications via facsimile machines is another means of exchanging information between PJM operations, accounting, and planning personnel and all categories of PJM Members.

The dispatch voice system (All Call, Ring Down, and manual dial) is designed to provide voice communications during normal circumstances. Should the PJM primary All Call System, Ring Down, Manual Dial, and Facsimile Communication fail, the following systems provide alternative communication capabilities in the event the normal system is not effective for some reason:

- Business Voice System
- Cellular Telephones
- Satellite Telephones

Section 4: Data Exchange and Metering Requirements

Welcome to the *Data Exchange and Metering Requirements* section of the PJM Manual for *Generator Operational Requirements*. In this section you will find the following information:

- Description of computer system data exchange methodology and requirements. (See "*Computer System Data Exchange*").
- Rules pertaining to generator metering. (See "*Data Exchange and Metering Requirements*").

4.1 Computer System Data Exchange

4.1.1 PJMnet Communications System

PJMnet is the primary wide-area private network for secure Control Center data communication to and from PJM. PJMnet will support:

- Inter-Control Center Communications Protocol (ICCP) data links to Control Centers.
- SCADA links to plants via remote terminal units (RTUs) using Distributed Network Protocol (DNP3.0 Implementation Level 2 over TCP/IP).

PJMnet is a robust multi protocol label switching (MPLS) network that connects member Control Centers and plants to PJM's dual redundant Control Centers. Private voice and data permanent virtual circuits (PVCs) are provided to link to PJM's dual redundant Control Centers. The number of physical interfaces and their capacity will be determined by the impact of the member's facilities on overall PJM Operations.

A Voting Member (as defined in the Operating Agreement) for their generation assets as described in Exhibit 2: Guidelines for Metering Installation will receive one PJMnet connection. A Voting Member has the option to request that PJM provide, at the Voting Member's sole cost and expense, up to five additional PJMnet connections.

For installation of PJMnet, new generator participants are required to complete and return the PJMnet Telecommunications Request Form (see Attachment B). The PJM Client Manager assigned to the generation project will provide the latest PJM technical specifications and PJM technical personnel contacts as required to establish data and voice communications to PJM.

4.1.2 Energy Management System (EMS)

Information is exchanged between the PJM Interconnection L.L.C. (PJM) EMS computers and the EMS systems of PJM Members. Please note that the following description of EMS-to-EMS Data Communications is based on Member company systems that support both Generation and Transmission functions; a Generation Control Center or a Transmission Control Center would need to support the appropriate subset of these functions. The system primarily supports real-time functions such as PJM Balancing Authority network monitoring, generation control, and security analysis.

4.1.3 PJM EMS Communication Protocols

All new Control Center to Control Center links will be implemented using the Inter-control Center Communications Protocol (ICCP) standard. ICCP is a comprehensive, international standard for real-time data exchange within the electric power utility industry. It is intended to support inter-utility, real-time data exchange critical to the operation of interconnected systems.

4.1.4 EMS Data Exchange

EMS data is exchanged between each Member's system and the PJM EMS computer system, on one of several fixed cycles, as well as on demand, by exception, and interactively.

- The EMS data sent cyclically from PJM Members to the PJM includes:
 - Data needed for the PJM control programs
 - Data needed for monitoring generation
 - Data needed for monitoring transmission
 - Data needed for monitoring interchange
- The EMS data sent cyclically from the PJM EMS to each PJM Member's EMS includes:
 - System control data
 - Generation and transmission information required for monitoring and security analysis programs
 - Area Regulation data

Cyclic data exchanged at the fast scan rate (two seconds) is used to develop the PJM Area Control Error (ACE) and associated individual PJM Member Area Regulation megawatt values. Cyclic data exchanged at a slower scan rate (ten seconds) is used to develop dispatch control values, security monitoring, and data tracking.

PJM Members are responsible for the accuracy of the data they send to PJM. Refer to Manual M-01, Control Center and Data Exchange Requirements, Section 3 & Section 5 for data accuracy requirements for real-time and revenue data.

Hourly MWh readings data must be the same values that are recorded in the history registers of the revenue meters at the metered locations. Billing data has a higher overall accuracy requirement than real time data. Regular calibration of PJM Member metering is necessary to keep the data as accurate as possible. Further information may be found in Section 5 of the PJM Manual M-01, Control Center and Data Exchange Requirements.

Data exchanged either by exception, on demand, or interactively between PJM Member's and the PJM's EMS systems include:

1. Breaker, disconnect and line status changes, with associated data quality code information.
2. Alarm messages in text and data format.

The following exhibit summarizes the data requirements and exchange rates for the cyclic data exchanged between PJM EMS and PJM Members' EMS systems.

Data	Exchange Rates
<i>From PJM Members to PJM</i>	
Data needed for PJM Control Programs (AGC tie-line MW, TREG, CREG, UNITREG, LOADBP, Locally Sampled Frequencies)	Fast Scan Rate (2 seconds)
Data needed for monitoring generation (Generation MW/MVAR Telemetry)	Slow Scan Rate (10 seconds)
Data needed for monitoring transmission (Line/Transformer Flows, Voltages)	Slow Scan Rate (10 seconds)
Breaker, disconnect, and line status changes	By Exception (on event)
AVR and PSS status	By exception on change of status where Open = Out of Service and Closed = In Service
<i>From PJM EMS to PJM Member's EMS</i>	
AGC Regulation Signals	Fast Scan Rate (2 seconds)
AGC Individual Unit MW Set Points	Slow Scan Rate (10 seconds)
Dispatch control values	Slow Scan Rate (10 seconds)
Generation MW/MVAR Telemetry	Slow Scan Rate (10 seconds)
Line/Transformer Flows and Bus Voltages	Slow Scan Rate (10 seconds)

Exhibit 3: Summary of EMS Data Requirements and Exchange Rates

Each PJM Member is responsible for determining data-quality indicators for all data transmitted to PJM. Both failed individual values and any value calculated using a failed point must be flagged. When a point fails for an extended period, a manual update of the point's value is necessary once every thirty minutes to keep the data as accurate as possible.

4.1.5 EMS Model

New generators of more than 10 MW or any new capacity resource intending to set real-time LMP must be explicitly modeled in the PJM EMS network model. The EMS network model is updated as described in PJM Manual 3A, Energy Management System (EMS) Model Updates and Quality Assurance (QA).

4.1.6 SCADA—Supervisory Control and Data Acquisition

The PJM SCADA system allows bi-directional exchange of analog data, digital data, and, in some cases, accumulator data between small generators the site and the PJM EMS. In the PJM EMS data may be processed immediately, stored in local historians, or forwarded to sub-systems like PJM Settlements.

Sample Configurations

The wide variety of possible Members dictates that the system cannot be locked into a fixed configuration. Member size and type of installation (new or existing) determine the installation configuration and possible features.

Some of the possible configurations are shown below. All metering installations below accommodate one or more metering points. Please note that the following table is a guideline only. Specifics of the installation may dictate an alternate configuration.

Connection Type	Aggregate Generator Size	Metering Installation				
		Intelligent Electronic Device	Data Model	Configuration	Monitoring Period	Protocol
Internet SCADA	Very Small (<10 MW)	Data Concentrator	All data types available OR Collect MWh and MVARh only	Dedicated TCP/IP with encryption gateway over secure internet.	varies	DNP 3.0
Internet SCADA	Small (10–100 MW)	Data Concentrator	All data types available	Dedicated TCP/IP with encryption gateway over secure internet.	varies	DNP 3.0
PJMnet	Medium (>100–500 MW)	Data Concentrator	All data types available	Dedicated TCP/IP with single router to redundant frame relay networks.	2 – 10 Second Periodic	DNP 3.0 or ICCP
PJMnet	Large (>500 MW)	Data Concentrator, SCADA, EMS or GMS	All data types available	Dedicated TCP/IP with dual routers to redundant frame relay networks—Single Local Area Network	2 – 10 Second Periodic	DNP 3.0 or ICCP

Exhibit 4: Guidelines for Metering Installation

The table below shows the types of equipment necessary for exchanging data with PJM.

Situation	Real-Time & Billing Metering	Operational Changes Sent via	Generator Bidding
Minimum Changes/Minimum Cost	Via Host Utility; MWh entered in Power Meter for PJM billing.	Host Utility.	Via Host Utility
<10 MW injection to grid or unit runs infrequently.	RTU at plant, single DNP network connection with encryption gateway.	Internet, through eMKT	Internet, through eMKT
>10 MW and <100MW injection to grid; unit runs continuously.	RTU at plant, single DNP network connection with encryption gateway.	Internet, through eMKT	Internet, through eMKT
>100 MW and <500MW injection to grid; unit runs continuously.	RTU at plant, redundant network connection, single router.	Internet, through eMKT	Internet, through eMKT
>500 MW injection to grid; unit runs continuously	RTU at plant or ICCP via SCADA system, redundant ICCP or DNP network connection, dual routers.	Internet, through eMKT	Internet, through eMKT
Control Center for Multiple Units	Install metering and use SCADA System; redundant ICCP network connection to PJM, dual routers.	Internet, through eMKT	Internet, through eMKT and PJMnet

Exhibit 5: Equipment Types for Data Exchange with PJM

The following exhibit displays a typical multi-unit metering and data flow configuration.

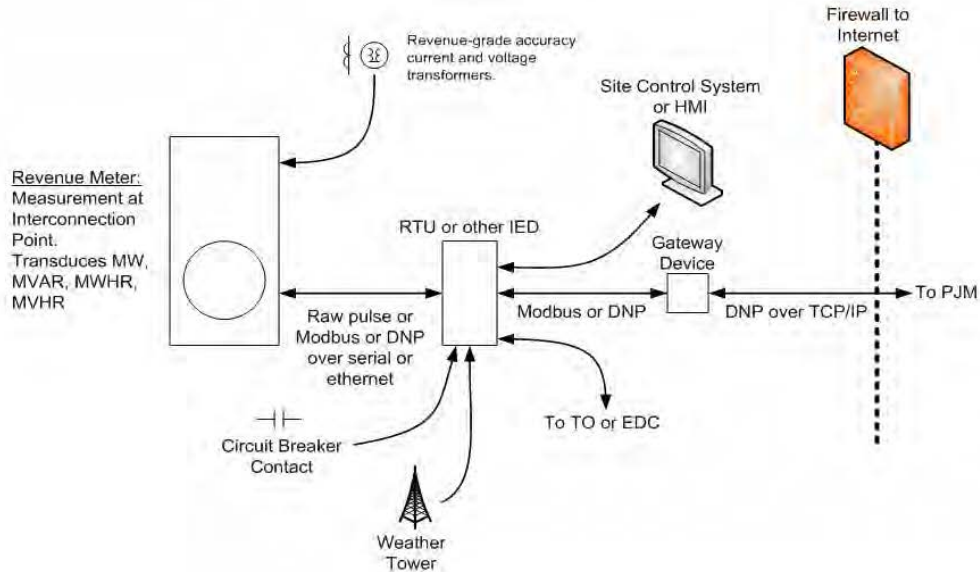


Exhibit 6: Typical Multi-Unit Metering and Data Flow Configuration

The following exhibit shows PJM precision requirements for real-time and revenue metering information. Refer to PJM Manual M-01, Control Center and Data Exchange Requirements for additional details.

Real Time Instantaneous Data Sent To PJM	
Frequency	1/1000th of HZ (i.e. 60.001 Hz)
Voltage	1/10th of kV (i.e. 69.1 kV)
Real Power MW	1 MW integer (i.e. 52 MW) required, but PJM will accept greater precision if available
Reactive Power MVAR	1 MVAR integer (i.e. 42 MVAR) required, but PJM will accept greater precision if available
Regulation Capability MW	1 MW integer (i.e. 10 MW) required, but PJM will accept greater precision if available
Real Time Instantaneous Data Sent From PJM	
Individual Unit MW base point from Security Constrained Economic Dispatch (SCED)	1/10th of MW (i.e. 323.1 MW)
Regulation Signal (AR)	1 MW integer, + or – (i.e. 10 MW) but PJM will send smaller signals to certain sites such as renewable resources, etc.
Revenue Data Sent To PJM	
MWh Delivered and Received	1/1000th of MWh (i.e. 20.001 MWh)
MVARh Delivered and Received	1/1000th of MVARh (i.e. 15.002 MVARh)

Exhibit 7: PJM Real-Time and Revenue Data Precision Requirements

4.2 Data Management and Metering Requirements

4.2.1 Data Management and Security

Each Generator shall supply the necessary planning and operating data required to accurately model, schedule, and monitor the PJM system. Specific data requirements for power system applications, production cost and reliability assessment are located in the PJM Manual for PJM Regional Transmission Planning Process (M14B), Attachment H – Power System Modeling Data. This data must include, but is not limited to:

- Expected unit operations and desired market service/segment.
- Stability study data.
- Step-up transformer data (impedance and tap setting).
- Relay settings and generator protection package.
- Generator operating curves and associated test data (reactive/saturation).
- Special operating restrictions (including environmental).
- Identification of equipment ownership and maintenance responsibilities.
- Test data for metering calibration, backup communications, and relays.
- Any other data required to certify a generator as eligible to participate in a specific market segment or service.

The Generator shall also provide telemetered data to the Supervisory Control and Data Acquisition (SCADA) system or via ICCP to the PJM Energy Management System computers. Computer systems and metering shall be consistent with PJM practices, and compatible with PJM computer and communication systems.

Examples of this required data include: MW, MVAR, MWh, voltage, and equipment status (i.e., open/close). The data is to be provided in accordance with standards contained with the *PJM Manuals for Control Center and Data Exchange Requirements (M-01)*, *Pre-Scheduling Operations (M-10)*, *Energy & Ancillary Services Market Operations (M-11)*, and *Balancing Operations (M-12)*. PJM may require the ability to disconnect the facility from the PJM system via the Local Control Center's SCADA system.

It is required that data be sent to PJM automatically. In the event that the data is not automatically received by PJM, the generator operator shall call PJM with the required data at intervals specified by PJM. The generator operator must correct any problems associated with the failure of data-transmission equipment within a reasonable time.

The Generator and Local Control Center shall promptly exchange all information relating to all conditions which affect (or could affect) the operations of any facility reporting data.

The Generator shall communicate the outage of any data communication equipment connecting the facility to the PJM system in accordance with the following requirements:

- Each facility will be assigned to one of the PJM Local Control Centers as its primary contact, unless arrangements are made to communicate information directly to PJM. The assignment is based upon the voltage level of the connection to the Transmission System and the geographic location of the facility.

- All planned and maintenance outages of data communications equipment requiring the involvement of PJM personnel must be requested by the Generator. All information must be in a format defined by PJM. Refer to Attachment C of manual M-01, Control Center and Data Exchange Requirements.
- Advance notification of planned and maintenance outages must meet the requirements defined in the PJM Manual for Pre-Scheduling Operations (M-10).

Additional specific data requirements are defined in other sections of this manual. All records must be retained in accordance with NERC, FERC and PJM data retention requirements. All back-up voice and data communication plans and test procedures must be documented and provided to PJM.

4.2.2 Metering Plan

In order to establish a metering plan for new generation, a PJM Client manager is assigned. A kick-off meeting between the client manager and the generation owner will be held to discuss the following issues:

- Project schedule including testing/commercial dates
- Options for providing real-time and revenue data
- Business plan for the unit(s) - The new participant is required to apply for the necessary eTool accounts based on the individual business plan.
- PJM metering requirements - To satisfy these requirements, all generators connecting to the PJM system are required to install and operate metering and related equipment capable of recording and transmitting all voice and data communications. Specific data metering requirements depend on the size and business plan of the generator connecting to the PJM system.

All generators that participate in the PJM market as a capacity resource must provide instantaneous power and reactive power flow (real-time telemetered) data, regardless of MW size.

Distributed generators modeled at less than 10MW must provide instantaneous power data at the BES injection point within 10% of hourly MWh revenue accumulated data

Generators that are not participating as capacity resources must provide instantaneous real power and reactive power flow data only if:

- They are 10 MW or larger, or
- They are greater than 1 MW and connected at a bus operating at 34 kV and above

Very small generators (less than 10 MWs) may not be required to supply real-time telemetered information. PJM will evaluate requests not to supply real-time telemetry. Evaluation will consider network security and market requirements. Generators that are not required to supply real-time (two-second scan) metering will not be eligible to set real-time LMP. Revenue-related information is necessary for very small units. This information can be obtained from the local utility or manually read by the customer and supplied to PJM via Power Meter. If desired, a direct connection to PJM can be established.

Generators that are required to supply real-time and revenue information can supply this through the local utility's connection to PJM, or if desired, via a direct connection from the

generator to PJM. Real-time information will be collected at a two- ten second data rate, and revenue information will be collected hourly. The revenue information represents the accumulated energy for the previous hour.

The required revenue information is necessary to satisfy the needs of PJM's Market Settlements program. The real-time information is required for PJM's Energy Management Applications (State Estimator, Security Analysis, etc.).

4.2.3 Metering for Individual Generators

PJM does not require generator owners to directly connect to PJM, but leaves this as an option if it enhances the owner's ability to participate in PJM markets and functions. A generation owner has a number of options with respect to information acquisition and transmission.

At the most basic level, a generator owner can negotiate data transmission to and from PJM through the local utility or transmission facilities owner. This allows the generator owner the flexibility to use already proven and acceptable methods of data transfer to minimize initial start-up costs and procedures, while meeting all of the current requirements for providing data to PJM. This basic communication can be supplemented with the use of the Internet-based eTools such as inSchedule and eData, further expanding the data transfer capabilities between the customer and PJM without a direct connection to PJM.

A generator owner may decide that direct connection to PJM makes the best business sense, so facilities have been provided to make that connection as simple and cost effective as possible. The generator owner that decides to connect directly to PJM will be required to meet requirements determined by the net MW produced and the markets in which the generator owner decides to participate.

Additionally, information about PJM's operational status and other types of non market-sensitive data can be directly communicated through these same facilities. This type of communication is not required but is provided by PJM as a value-added service to enhance participation in PJM markets.

PJM's data requirements are described in two categories: real-time information and non real-time information. Either or both of these types of data can be directly communicated to PJM depending on the customer requirements and operating agreement with the local utility.

Real-Time Data

Real-time or instantaneous information is defined as data required by PJM that determines system security and stability as well as congestion and LMP. The minimum data model for real-time data transmission requires:

- Instantaneous Net (+/-) MW for each unit, measured on the low-side of generator step-up transformer
- Instantaneous Net (+/-) MVAR for each unit, measured on the low-side of generator step-up transformer
- Distributed generators modeled at less than 10MW must provide Instantaneous Net (+/-) MW and MVAR at aggregation point (BES injection point) based on an agreed upon algorithm.

Additional transmitted data may include bus voltages, circuit breaker status, and other data.

Account Metering

Non-real-time or revenue information is needed by PJM's applications and systems that determine Grid Accounting and Energy Interchange such as Power Meter. The minimum data-model for revenue data transmission requires:

- Hourly Compensated MWh delivered for each unit.
- Hourly Compensated MWh received for each unit.
- Hourly Compensated MVARh delivered for each unit (not currently required).
- Hourly Compensated MVARh received for each unit (not currently required).

Note: The MVARh revenue information will be considered a requirement in the event that PJM implements a Reactive Power Market.

Additional information on PJM Metering requirements may be found in Sections 3 and 5 of the *PJM Manual M-01, Control Center and Data Exchange Requirements*.

Data Communications Systems and Requirements

Data communications systems and requirements are dependent on the type of facilities connected to PJM, category of generator(s) based on Net MW, and market participation. The Generator owner with facilities directly connected to PJM must, at a minimum, provide PJM with the contact name and voice phone number of person or persons responsible for the continuous operation of that equipment.

Additionally, the Generator owner with multiple connected facilities may have to provide centralized contact and control information to minimize confusion and downtime resulting from equipment failure. Additional data or control room functionality may be necessary and will be determined on a per-generator basis. For additional information regarding these requirements refer to PJM Manual M-01, Control Center and Data Exchange Requirements.

For questions about Data and Metering Requirements, contact the PJM Client Manager or PJM's Member Relations at 610-666-8980.

4.3 Synchrophasor Communication System

The PJM Synchrophasor Communication system allows PJM to collect and manage data from phasor measurement devices unit(s) (PMU) which include the standalone phasor measurement units (PMUs) device, or Relays and Digital Fault Recorders (DFRs) with phasor measurement capabilities from individual generators or Market Operation Centers (MOC). Synchrophasor measurement devices PMUs are required at all new generator interconnections 100MW or larger that entered PJM's interconnection queue on or after October 1, 2012. It shall also include the communication system capable of carrying the phasor measurement data to a phasor data concentrator (PDC), and then transport the information continuously to PJM; as well as store the data locally for a minimum period of 30 days.

A Phasor Data Concentrator (PDC) shall be located at either the Member's generation site or MOC, and, after collecting data from the phasor measurement devices PMUs, communicate with PJM's Synchrophasor system using C37.118 data transfer protocol.

4.3.1 Phasor Measurement Device Unit Requirements

A phasor measurement device PMU is a device which measures the electrical wave forms on the electricity grid in real-time, using a common time source for synchronization.

- The performance of phasor measurement device PMU must comply with the current revisions of standards such as IEEE C37.118. The protection (P) performance class PMU is preferred.
- The phasor measurement device PMU shall have the capability to calculate sequence values for voltage and current Phasor data; as well as to provide the sequence synchrophasor values to a PDC at the minimum rate of 30 scans per second. (For all calculation purposes Phase A shall be used as the reference phase.)
- The phasor measurement device PMU shall have GPS (UTC) synchronization function either through an internal or external GPS receiver. All data recorded shall be in the Coordinate Universal Time (UTC)
- The phasor measurement device PMU shall be able to automatically switch to local clock in the event of the loss of GPS signal, and resynchronize automatically when GPS signal is available.
- The phasor measurement device PMU data stream shall indicate whether it is using GPS clock or local clock. NOTE: Default data stream should be synced to the GPS clock, with local clock serving as a backup.
- Accuracy and resolution of time synchronization shall be equal or under 1 micro second to UTC. The phasor measurement device PMU should be able to locally store collected or calculated data at the minimum rate of 30 frames per second.
- The phasor measurement device PMU shall be installed on the Customer Facility side of the generator step-up transformer (low side) unless it is a non-synchronous generation facility, in which case the device shall be installed on the Customer Facility side of the Point of Interconnection (POI).

4.3.2 Phasor Data Concentrator (PDC) Requirements

The PDC at the generation station or the MOC (GO PDC) is the central point of collection, management, storage, and distribution of PMU data for authorized real-time and non real-time uses.

- The performance of the GO PDC should comply with the current revisions of standards such as IEEE C37.118
- The GO PDC shall be able to consolidate and synchronize data from all connected PMUs before sending it to PJM; including unaligned data
- The GO PDC shall have capability of assigning positive sequence reference to any phase (rotate it by 120 or 240 degrees on per signal basis)
- All data streaming from the GO PDC to PJM PDC shall be in compliance with IEEE C37.118 communication standards
- The GO PDC should have the capability to down sample PMU signal before transmitting it to PJM PDC and to configure the down sampling rate

- For packets arriving later than expected time, the GO PDC should flag such packets and store their UTC arrival time.
- The GO PDC should be able to locally store all incoming data at the minimum rate of 30 frames per second for minimum two weeks
- The GO PDC should be able to retrieve and provide locally stored data per PJM's request
- The GO PDC should have a clock that is synchronized to UTC. It is recommended that this clock be an external GPS clock. Resolution and accuracy of time synchronization at Substation PDC should be equal or under 1 micro second to UTC

4.3.3 Network Requirements

A high-speed real-time data acquisition network is required to simultaneously transfer the PMU data to PJM Valley Forge and Milford control centers. This telecommunications network is independent of the existing SCADA network operated for PJM's EMS at its control centers. End-to-end (GO PMU to PJM PDC) latency should be less than or equal to 100 milliseconds. The GOs data acquisition, processing and communications systems should be designed to achieve the 100 millisecond Latency limit. PJM will provide redundant T1 connections and dual routers to the GO PDC. A typical connection from the GO PDC to PJM is described in Exhibit 7. In some cases, transmitting phasor data with SCADA data together is permitted.

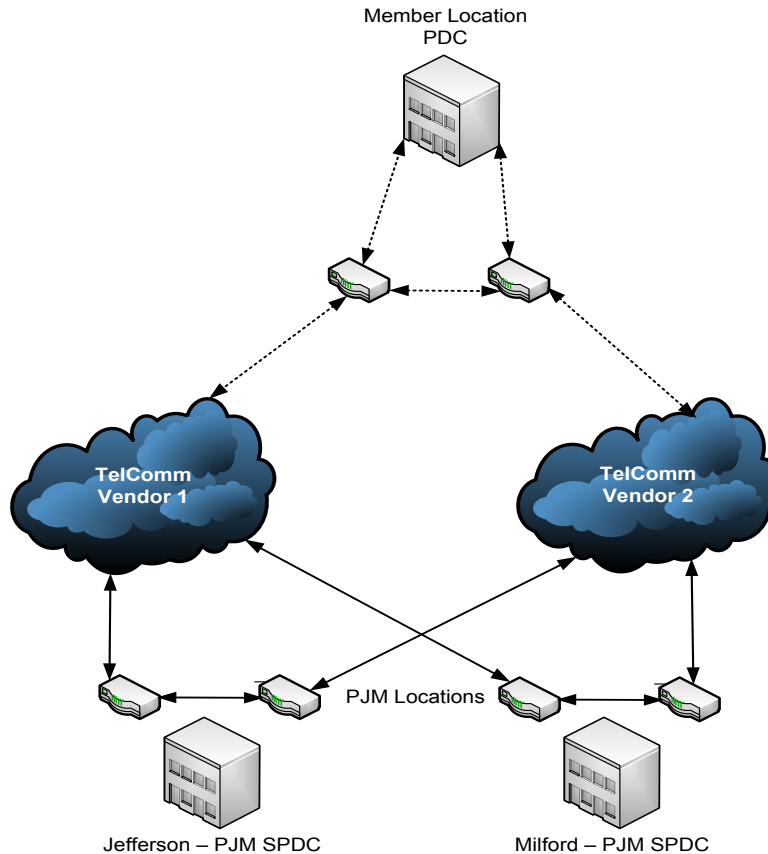


Exhibit 7: GO-PDC to PJM Network

4.3.4 Data Exchange and Management Requirements

PJM maintains configuration information for each phasor measurement device PMU and PDC connected to the Synchrophasor system. This configuration information is used to accurately interpret the data collected from the generators. The generator should register its phasor measurement device PMU and PDC with PJM by using the registration form located in <http://www.pjm.com/planning/rtep-development/expansion-plan-process.aspx>. The generator should use NERC-assigned 5 Digit ID Codes for phasor measurement the devices that are reported to PJM.

Generators interconnected with and synchronized to the transmission system must provide PJM all necessary and requested information through PJM Synchrophasor system, to assure that the electrical system can be operated in a safe and reliable manner.

This data includes, but is not limited to:

- Generator gross MW and MVAR outputs measured at the low side of the generator step-up transformer (for wind generating plants, measurements at POI are acceptable)
- Generator terminal voltage
- Generator terminal frequency
- Generator field voltage and current (preferred)

All data items, regardless of type, are collected and disseminated at a frequency of 30 frames per second and should be sent to PJM with associated data quality codes in compliance with IEEE C37.118 communication standards. (See 4.3.1 Phasor Measurement Device Unit Requirements)

The generation owner will report to PJM the outage of any data communication equipment connecting the facility to PJM system to the following email address: outage@pjm.com (or other approach as determined by the PJM Phasor Data Quality Task Force.) Please reference M01 section 3.3.2 for more details.

Section 5: Participation in PJM Markets

Welcome to the *Participation in PJM Markets* section of the *PJM Manual for Generator Operational Requirements*. In this section you will find the following information:

- Description of marketing options available to Generator Owners (see "*Marketing Options*").
- Description of required/mandatory services (see "*Ancillary Services*").
- Description of PJM marketing tools that are currently available (see "*Marketing Tools*").
- Description of the PJM two-settlement system (see "*Description of the Two-Settlement System*").
- Role of Generation in the PJM pre-scheduling and scheduling processes (see "*Pre-Scheduling and Scheduling*").
- Description of the resource commitment process (see "*Resource Commitment*").

5.1 Marketing Options

There are several marketing options available to generator owners in the PJM Interconnection L.L.C. (PJM) Balancing Authority, but not every generating unit qualifies to participate in every PJM market. The marketing options available to generation owners depend on the physical characteristics of the unit(s) as well as the business philosophy of each owner. Additional information on all of the PJM markets may be found at the heading "markets & operations" on the PJM Web site.

5.1.1 PJM Wholesale Energy Market

The PJM wholesale energy market includes both day-ahead and real-time markets.

- In the day-ahead market, Locational Marginal Prices (LMPs) are calculated for each hour of the next operating day based on generation offers, demand bids, and bilateral transaction schedules submitted in advance. The next-day schedule is developed using least-cost, security-constrained resource commitment and security-constrained economic dispatch programs.
- During the operating day, 5 minute and hourly clearing prices are determined by the actual system operations security-constrained economic dispatch in the real time market.
- For more information about the PJM Wholesale Energy Market see PJM Manual M11, Energy and Ancillary Service Market Operations.

5.1.2 PJM Regulation Market

The PJM Regulation Market provides PJM participants with a market-based system for purchase and sale of the Regulation ancillary service, which provides short-term load balancing capability to the system.

Generators may choose to participate in the PJM Regulation Market. Qualification for this program requires each participating resource to achieve specified performance standards and to be equipped with Automatic Generation Control (AGC). Please refer to PJM Manuals

M11, Energy & Ancillary Services Market Operations, Section 3 and M12, Balancing Operations, Section 4 for more information.

For more details on regulating unit eligibility and the regulation market business rules, please refer to the *PJM Manual* and *Energy & Ancillary Services Market Operations*.

5.1.3 PJM Reserve Markets

The PJM Reserve Markets provide PJM participants with a market-based system for purchase and sale of the Synchronized Reserve, Non-Synchronized Reserve, as well as Day Ahead Scheduling Reserves. Please refer to PJM Manual M11, Energy & Ancillary Services Market Operations, Section 4, 4b, and 11 for more information.

5.1.4 PJM Capacity Market

Refer to Manual M-18, PJM Capacity Market for information related to this market.

5.2 Ancillary Services

The following ancillary services are provided by PJM in coordination with the generating entities and are required/mandatory services, calculated after-the-fact in the billing process.

5.2.1 Reactive Supply and Voltage Control from Generating Sources Service

In order to maintain transmission voltages on the Transmission Provider's transmission facilities within acceptable limits, generation facilities under the control of the Balancing Authority operator are operated to produce or absorb reactive power. Thus, Reactive Supply and Voltage Control from Generation Sources must be provided for each transaction on the Transmission Provider's transmission facilities.

The amount of reactive supply and voltage that must be supplied with respect to the Transmission Customers transaction will be determined based on the reactive power support necessary to maintain transmission voltages within limits that are generally accepted in the region and consistently adhered to by the Transmission Provider. The charges for such service are shown in Schedule 2 of the Open Access Transmission Tariff. Also, new generators have the option of filing with FERC to receive a revenue stream for their reactive output.

After consultation with the Generator Owner regarding necessary step-up transformer tap changes, PJM will provide documentation to the Generator Owner specifying the required tap changes, a timeframe for making the changes, and technical justification for these changes. The Generation Owner shall provide notification to PJM when the changes have been implemented. Generation Owners shall update reactive curves (D-curves) via eDart to ensure PJM and TO EMS Security Analysis results are accurate.

5.2.2 Regulation and Frequency Response Service

Regulation and Frequency Response service provides the continuous balancing of resources (generation and interchange) with load and maintains the Interconnection frequency at sixty cycles per second (60 Hz). Within PJM, Regulation and Frequency Response service is accomplished through the Regulation Market, which is described in this section under "*Marketing Options*."

5.3 Marketing Tools

Additional information on all PJM Marketing tools can be found on the PJM home page at PJM Tools.

5.3.1 eMKT

This is the Market User Interface for participating in the PJM Wholesale Energy Markets, specifically the Day-Ahead Market, the PJM Regulation Market, and the PJM Synchronized Reserve Market. Users may submit resource-specific generation offers with operating details, fixed or price-sensitive demand bids, as well as bilateral transactions and financial increment and decrement bids. The PJM eMKT interface also enables viewing public and private day-ahead results and managing portfolios, please refer to the eMKT User Guide and Markets Database Dictionary for more information.

5.3.2 PJM inSchedule

This tool is used by Generation Owners in PJM to submit their internal PJM energy schedule data. All PJM internal transactions, including load and generation interchange adjustment modeling and implicit internal spot market schedules, are handled through the PJM inSchedule system. New users who are PJM Members may register to use eRPM and inSchedule by submitting the User Registration form from the login screen.

5.3.3 PJM eRPM

This electronic tool enables a competitive installed-capacity market and fulfills the data reporting requirements for generation owners with granted capacity status. Users of eRPM can view peak loads and obligations in any zone, shop for PJM installed capacity, and create bilateral transactions to buy or sell unit-specific or capacity credits. New users may register to use eRPM by submitting the User Registration form from the login screen.

5.3.4 eDART

The Dispatcher Application and Reporting Tool (DART) provides communication with PJM for generation operators regarding unit outage requests, updates to reactive capability curves (D-curves) and AVR status.

When fully implemented, operators will also use this tool to submit data for Supplemental Status Reports (SSRs), Restoration Drill Data, Instantaneous Reserve Checks (IRCs), and Morning Status Reports. Additional applications may be integrated in eDART in the future. User registration is available from the PJM Web site.

5.3.5 eGADS

The Generator Availability Data System (GADS) enables the operators of generation units to submit performance data into PJM records for determination of unit availability. Units are tracked on a rolling twelve-month basis for demand equivalent forced outages (EFORd) to determine their unforced capacity. Operators are required to submit data monthly using the eGADS interface. New plant operators should contact PJM for user set-up.

5.3.6 eDATA

eDATA is an Internet based system that allows PJM Dispatchers and participants to view current and projected system data and emergency procedures information as well as market information. Additionally, eDATA feed is an RSS feed of data that users may scrape for data. User registration is available from the PJM Web site.

5.4 Description of the Two-Settlement System

5.4.1 Market Participants

For more information about Market Participants please refer to Manual 11, Energy & Ancillary Services Market Operations, Section 1.

5.4.2 The Day-Ahead Market

The Day-Ahead Market allows participants to purchase and sell energy at binding day-ahead prices. It also allows transmission customers to schedule bilateral transactions at binding day-ahead congestion charges. These congestion charges are based on the differences in Locational Marginal Prices (LMPs) between the transaction source and the sink.

Load Serving Entities (LSEs) will submit hourly demand schedules, including any price-sensitive demand, for the amount of demand that they wish to lock in at day-ahead prices. Any generator that is a PJM-designated capacity resource must submit a bid schedule into the day-ahead market unless it is self-scheduled or unavailable due to outage.

Other generators have the option to bid into the day-ahead market. Transmission customers may submit fixed or dispatchable bilateral transaction schedules into the day-ahead market and may specify whether they are willing to pay congestion charges or wish to be curtailed if congestion occurs in the day-schedule.

All spot purchases and sales in the day-ahead market are settled at the day-ahead prices. After the daily quote period closes, PJM will calculate the day-ahead schedule based on the bids, offers and schedules submitted using scheduling programs that perform least-cost, security-constrained resource commitment and dispatch for each hour of the next operating day. The day-ahead scheduling process will incorporate PJM reliability requirements and reserve obligations into the analysis. The resulting hourly schedules and LMPs represent binding financial commitments to the Market Participants. Financial transmission rights (FTRs) are accounted for at the day-ahead LMP values.

For more information please see Manual 11, Energy & Ancillary Services Market Operations, Section 2.

5.4.3 The Real-Time Balancing Market

The Balancing Market is based on real-time operations. It provides financial incentives for generators to follow the real-time economic dispatch instructions issued by PJM.

Generators designated as PJM Capacity Resources that are available but not selected in the day-ahead scheduling may alter their bids for use in the balancing market. If not altered, the original bids remain in effect for the Balancing Market.

Balancing prices are calculated on the actual system operating conditions as described by the PJM state estimator. LSEs will pay balancing prices for any demand that exceeds their day-ahead scheduled quantities. The LSEs will also receive revenue for demand deviations below their scheduled quantities.

Generators are paid balancing prices for any generation that exceeds their day-ahead scheduled quantities and will pay for generation deviations below their scheduled quantities. Transmission customers pay congestion charges for bilateral transaction quantity deviations from day-ahead schedules. All spot purchases and sales in the balancing market are settled at the balancing prices.

For more information please see Manual 11, Energy & Ancillary Services Market Operations, Section 2.

5.4.4 Grid Accounting

There are several services within the Interchange Energy Market for which PJM calculates charges and credits that are allocated among the PJM Members. (Detailed explanations may be found in the *PJM Manual M28, Operating Agreement Accounting*.)

PJM provides accounting for these services:

- Spot Market Energy—Energy bought or sold by PJM Members through the PJM Energy Market.
- Regulation—The capability of a specific resource with appropriate telecommunications, control, and response capability to increase or decrease its output in response to a regulating control signal (see *PJM Manual M12, Balancing Operations*).
- Operating Reserves—The amounts of generating Capacity scheduled to be available for specified periods of an Operating Day to ensure reliable operation.
- Synchronized Reserve—Capability of a specific synchronized generating or demand resource that can be provided within ten (10) minutes (see *PJM Manual M11, Energy & Ancillary Services Market Operations*).
- Transmission Congestion—The increased cost of energy delivered when the Transmission System is operating under constrained conditions.
- Transmission Losses—Energy requirements in excess of load requirements due to the energy consumed by the electrical impedance characteristics of the Transmission System.
- Emergency Energy—Energy bought from or sold to other Balancing Authorities by PJM due to emergencies either within the PJM Balancing Authority or within the other Balancing Authorities.
- Metering Reconciliation—Metering errors and corrections that are reconciled at the end of each month by a meter error correction charge adjustment.
- Unscheduled Transmission Service—Service that PJM Members can provide to or receive from the New York ISO and are credited or charged according to the Operating Agreement.

- Ramapo PAR Facilities—Carrying charges collected from PJM RTOs paid to the New York ISO for the Phase Angle Regulators (PARs) at Ramapo and charged according to the Operating Agreement.
- Capacity Market—Capacity bought or sold through the PJM daily and capacity markets via eRPM.

These services are applicable to the different types of market participation, as shown in the following table. Each service is further broken down in the billing statement (see the *PJM Manual for Billing*).

	Market Buyers	Market Sellers	Transmission Customers
Spot Market Energy	X	X	
Regulation	X	X	
Reserve Markets	X	X	
Operating Reserves	X	X	
Transmission Congestion			X
Transmission Losses			X
Emergency Energy	X	X	
Meter Reconciliation	X	X	
Unscheduled Transmission Service	X	X	
Capacity Market	X	X	

Exhibit 8: Applicable Services as defined by Market Participation

PJM Energy Market accounting is designed to operate on a balanced basis. That is, the total amount of the charges equals the total amount of credits; there are no residual funds. With certain exceptions, each of the individual services also operates on a balanced basis. Charges and credits for a particular service (such as regulation) offset each other exactly. In certain cases, excess charges or credits in one service category are used to offset charges and credits for another service.

Accounting Input Data

PJM collects information regarding actual operations during the hour. This information is recorded either by the PJM System Operators or by automated systems. The market accounting processes use this information as input data. Other accounting input data is provided from various systems and databases. This information includes data describing PJM Members' installed generating resources, scheduling information for PJM Members' transactions, and Transmission System parameters.

5.5 Pre-Scheduling and Scheduling

One of the principal purposes of the PJM pre-scheduling activities is to establish and maintain the markets database containing current generator information. The database contains resource-specific information including company, plant, operating limits, resource availability, etc., and is used during pre-scheduling, scheduling and dispatching. This data allows PJM to schedule generation resulting in the lowest overall production cost while maintaining the reliability of the PJM RTO.

Each Generator must advise PJM on a daily basis of its generation schedule and/or bid price for the following day. Generators must abide by these schedules unless approval for deviation is secured from PJM or unless equipment problems beyond the Generator's control prevent operation at the specified schedule.

Specific details concerning the data requirements and deadlines for the pre-scheduling and scheduling processes are contained in the *PJM Manuals M10, Pre-Scheduling Operations* and *M11, Energy & Ancillary Services Market Operations*.

5.6 Unit Commitment

5.6.1 Process

The resource commitment process includes the Markets Database (formerly the Unit Commitment Database or UCDB) and the functions of Hydro Scheduler and the Dispatch Management Tool (DMT). The Markets Database is a large database containing information on each resource that operates as part of the PJM Interchange Energy Market.

The Resource Scheduling and Commitment (RSC) programs provide an optimized economic commitment schedule for thermal generating units and are the primary tool used to determine commitment of resources that have operating constraints requiring multiple-day operation.

The Hydro Calculator computes hourly reservoir elevations and hydro plant generation from input river flows and hydro plant discharges.

The DMT runs in the corporate computer system and performs accounting and operations functions with respect to combustion turbines. Additional information on the PJM resource commitment process may be found in the following manuals:

- PJM Manual for Pre-Scheduling Operations(M-10)
- PJM Manual for Energy & Ancillary Services Market Operations (M-11)
- PJM Manual for Billing (M-29)

5.6.2 Data Requirements

The two-settlement technical software develops the Day-Ahead Market results based on minimizing production cost to meet the demand bids and decrement bids. The results incorporate PJM Balancing Authority security constraints and reliability requirements necessary for reliable operation.

Two-Settlement Technical Software

The PJM Two-Settlement Technical Software is a set of computer programs performing security-constrained resource commitment and economic dispatch for the Day-Ahead Market. The individual programs are:

1. Resource Scheduling and Commitment (RSC)—Performs security-constrained resource commitment based on generation offers, demand bids, increment offers, decrement bids and transaction schedules submitted by participants and based on PJM Balancing Authority reliability requirements. RSC will enforce physical resource-specific constraints that are specified in the generation offer data and generic transmission constraints that are entered by the Market Operator.
2. Scheduling, Pricing and Dispatch (SPD)—Performs security-constrained economic dispatch using the commitment profile produced by RSC. SPD calculates hourly unit generation MW levels and LMPs for all load and generation buses for each hour of the next operating day.
3. Study Network Analysis (STNET)—Creates a powerflow model for each hour of the next operating day based on the scheduled network topology, the generation and demand MW profile produced by SPD and the scheduled Tie Flow with adjacent Balancing Authorities. STNET performs AC contingency analysis using the contingency list from PJM EMS and creates generic constraints based on any violations that are detected.

After the close of the generation re-bidding period at 1800, the RSC is the primary tool used to determine any change in steam unit commitment status. Commitment changes are based on minimizing the additional startup costs and costs to operate steam units at economic minimum, as well as providing sufficient operating reserves to satisfy the PJM Load Forecast.

The purpose of this second phase of resource commitment is to ensure that PJM has scheduled enough generation in advance to meet the PJM Load Forecast for the next operating day and for the subsequent six days. CT units are included in the scheduling process and are scheduled in the Day-Ahead Market. However, the decisions concerning actual operation of pool-scheduled CT units during the operating day are not made until the current operating hour in real-time dispatch.

Section 6: Pre-Operational Requirements

Welcome to the *Pre-Operational Requirements* section of the *PJM Manual for Generator Operational Requirements*. In this section you will find the following information:

- Description of data exchange testing procedures (see “*Data Exchange Testing*”).
- Description of required training procedures (see “*Training and System Operator Certification*”).
- Pre-operational requirements of Generation for coordination with dispatch (see “*Coordination with Dispatch*”).

6.1 Data Exchange Testing

6.1.1 Introduction

PJM interfaces with a wide range of different customer systems. Procedures for verifying that these systems are ready to go into production operation vary by type of system, its functionality, the number of data points, etc. For purposes of illustration, test requirements for a Generation Management System (GMS) are provided here. A GMS is typically the most comprehensive system used for generator interconnection, and therefore, has the most comprehensive testing requirements.

By definition, a GMS provides a centralized control center interfacing via remote terminal units to numerous generating locations. This data is then sent to PJM via the Inter-control Center Communication Protocol (ICCP) link.

6.1.2 Test Requirements for Member Company New Generator Management Systems (GMS)

In general, PJM is responsible for testing data connections between a Member company's GMS hardware and PJM's computers. PJM generally does not test communication between a Member's remote terminal units (RTUs) and the Member's GMS computers. When using a new GMS system, the Member Company should test input of all RTU information/data into their GMS before involving PJM.

Communication testing by PJM uses the TEST System, which tests the communication of information from the Member's GMS database into the PJM database. If changing from the previous GMS to the new one, testing will be enhanced if all of the data available in the existing GMS is simultaneously available to the new GMS. Where possible, testing of any new GMS should be done from the company's parallel test system connected to the PJM TEST system.

PJM does not require that any RTU be connected to the Member's GMS during testing with PJM's TEST system. The Member Company may have as many RTUs connected to their (new) GMS as they wish while testing with PJM's TEST system. Testing with PJM's TEST shall not reduce the availability of accurate telemetry to PJM's Operational EMS.

The Member Company must comply with these PJM naming and telemetry conventions (if applicable to the installation):

- Transmission line MW and MVAR

- Transformer MW and MVAR
- Generating unit MW and MVAR
- Station kV
- Frequency
- Transformer taps

In addition, the Member Company must support transmission of breaker/disconnect status. Testing should include several scheduled/intentional communication re-starts initiated by both PJM and the testing company.

After the Member Company has successfully completed testing with PJM's TEST System, PJM will schedule the test of the company's new GMS with all telemetry available. The test should comply with the following criteria:

- Real-time metering via ICCP datalink connection must be in place before testing in order to maintain reliability of the PJM Balancing Authority.
- The Member Company must make known when its test period is starting.
- During this time, the Member Company shall maintain the old GMS in such a state that it can be restored in total within one hour upon demand by the PJM Supervising Dispatcher if the new GMS is not performing to the Dispatcher's satisfaction.

Link-up time for ICCP Links: The link shall be 99.5% operational or higher. PJM shall qualitatively judge whether or not the data is acceptable.

6.1.3 Communications Considerations

For companies using the ICCP protocol, the following specific items should be considered:

- The requirements for communication with PJM over can be obtained from your PJM Project Manager.
- The ICCP association form must be received by PJM for PJM to properly configure the link before any testing can start.
- Before testing with PJM's TEST system, it is desirable for the Member Company's vendor to communicate with the PJM DEV system.
- The Member company and PJM must take special precautions to prevent the Member company test GMS from communicating directly to the PJM Real-Time EMS system.

6.1.4 Offline Test

- Both companies will bring the data link up between the Member Company and PJM and verify that all sessions for ICCP are up.
- Both companies will compare values between the Member company and PJM such as:
 1. Line and transformer flows: All 500 kV, 345 kV, selected 230 kV and tie lines (MW and MVAR),
 2. Generator values
 3. Testing Company Totals

4. Frequency
 5. Individual Unit MW base points from (SCED)
 6. Regulation signals
 7. Breaker status
 8. Voltages
 9. Transformer taps
 10. Pond levels
- Both companies will check the points in the various reporting cycles to see that they are updating at the proper scan rate.
 - PJM will have the Member company tel-fail several lines, including facilities at different voltage levels. Companies will compare values, singly and several at once, adjacent and separated in the PTID list. Both companies check for the appropriate flag set in the status code section of the Value Table for the corresponding PTID.
 - PJM will have the Member Company restore tel-fails and compare values.
 - PJM will have the Member company tel-fail breaker status out-of-service for selected breakers and then restore, checking status each time.
 - PJM will have the Member company change status on a device and verify.
 - PJM will bring up various PJM EMS displays and check values.
 - PJM will change scheduled frequency (e.g., 59.98 Hz). Member Company will verify the change.
 - PJM will change Individual Unit MW basepoints. Member Company will verify the change.
 - PJM will suspend regulation. Member Company will verify they are receiving a zero regulation signal.
 - PJM will unsuspend regulation. Member Company will verify they are receiving the regulation signal the PJM is dispatching.
 - PJM will cause the ACE signal to go from a lower to a raised position. Member Company should verify both the correct value and direction.

6.1.5 Online Test

The Online Test involves the connection of the Member Company's new GMS system to the PJM's RT EMS system. The communications should be accurate and reliable. All systems will be closely watched by the test director over a period of time. During this test, repeat as many steps as possible from the Offline Test above when the new link is brought on line.

6.1.6 Dispatcher Testing Procedure and Computer-to-Computer Testing

Verify Key Control Items on PJM's Displays:

1. PJM will request the Member Company to tel-fail a value for one of their transmission facilities.

2. Check for the appropriate flags and status on applicable PJM EMS displays.
3. PJM will change scheduled frequency (e.g. 59.98 Hz) and verify that the Member Company received the change. PJM will return the frequency signal to normal.

Verify Network Applications

PJM will verify that the State Estimator Application operates properly with the member's equipment included in the PJM Network Model. Specifics of this verification will be based on the overall impact of the member's equipment on the PJM system.

Verify Accounting Data

After confirming connectivity to the customer's metering equipment, PJM will verify the validity and accuracy of individual test data being transmitted. Test data will also be made available from SCADA to Markets Settlements to verify that it is being accurately transmitted.

The generation owner must designate the applicable network model bus(es) at which each revenue meter is to be priced. Once accounting data is successfully being stored in the Market Settlements Database, the generation owner and the Market Settlements staff will compare the accounting data being sent from the generator to the data being received by the PJM settlements system to confirm that it is being transferred accurately.

Verify Real-Time Operational Scheduling

After confirming connectivity, use the Unit Hourly Update page (in eMKT) with the current date to simulate a change in a unit's operational status. PJM will verify that the change was received.

6.2 Training and System Operator Certification

6.2.1 Training

Refer to Training Requirements in PJM Manual M40, Training and Certification Requirements.

6.2.2 PJM System Operator Certification

Refer to Certification Requirements in PJM Manual M40, Training and Certification Requirements. .

6.3 Coordination with Dispatch

6.3.1 Operation

Every Generator interconnected with and synchronized to the transmission system must at all times coordinate operation with PJM and the Local Control Center, providing all necessary and requested information and equipment status, to assure that the electrical system can be operated in a safe and reliable manner.

This coordination includes, but is not limited to:

1. Supplying generator net-MW and MVAR output.

2. Supplying frequency and voltage levels.
3. Scheduling the operation and outages of facilities including providing advanced notification.
4. Coordinating the synchronization and disconnection of the unit with the PJM or local system operator.
5. Providing data required to operate the system and to conduct system studies.
6. Providing documented start-up and shutdown procedures including ramp-up and ramp-down times.
7. Following PJM-directed plant operation during emergency and restoration conditions.
8. Following PJM-directed operation during transmission-constrained conditions.

Note: for Distributed generators modeled at less than 10MW PJM requires the generators to be able to follow PJM direction via SCADA or an agreed upon alternative method.

6.3.2 Communication

To ensure reliable operations and responsiveness, Generators must be properly staffed to support a 7-day, 24-hour contact for communications. Data must be sent to PJM automatically. In the event that the data is temporarily not received by PJM, the Generator Operator must call PJM with the operating data at intervals specified by PJM. The Generator Operator shall correct any problems associated with the failure of equipment within a reasonable time.

The Generator and Local Control Center shall promptly exchange all information relating to all conditions which affect (or could affect) the operations of any facility reporting data.

The Generator shall communicate the outage of any electrical equipment connecting the facility to the PJM system in accordance with these requirements:

1. Each facility will be assigned to one of the PJM Local Control Centers as its primary contact, unless arrangements are made to communicate this information directly to PJM. This assignment is based upon the voltage level of the connection to the Transmission System and the geographic location of the facility.
2. All planned and maintenance outages of electrical equipment requiring involvement of PJM personnel must be requested by the Generator. The appropriate information must be in a format defined by PJM.

6.3.3 Test Energy

Test energy is energy generated for a predetermined period by a new resource interconnecting with the PJM Balancing Authority for the first time. The test energy period starts with Stage Two energization (initial synchronization of generator to the transmission system per ICSA). Depending on the size and nature of the generating unit(s), this period may be a matter of hours or days.

Providers of test energy are not required to participate in the Day-Ahead (DA) energy market. Test energy compensation can be obtained at Real-Time (RT) Locational Marginal Price (LMP).

Market participation & compensation can only occur if proper metering and modeling are completed as specified in other parts of this manual and the Power Meter account is active.

Day-Ahead energy market participation is optional to mitigate RT deviations from DA position.

Before providing interconnected test energy, Generators must:

1. Have in place an executed Interconnection Service Agreement with PJM and the interconnected Transmission Owner.
2. Provide PJM with an accurate Test Schedule, including times and output of unit.
3. Provide notification to PJM Dispatch Operations at least 20 minutes prior to a change-in-state of each generating unit.
4. Provide the PJM Dispatch Operations and the Market Settlements department accurate information as to when unit will be available for commercial use and in which markets it intends to do business.

If metering is not in place and verified via test, then an inSchedule internal bilateral transaction may be used to support any agreement between the generator owner and the transmission owner. This is an option PJM provides to the parties involved but is not a requirement.

Upon completion of the test period and when the generator is determined to be available for commercial operation, each unit is subject to other voice and data test requirements which are discussed in other sections of this manual.

6.3.4 Other Requirements

The Generator Owner shall develop operating principles and procedures for its facility, coordinated with PJM requirements and provide the necessary training and certification for appropriate employees. Generators must provide for the necessary communication of information between the Generator and PJM. This information includes generator data for each generating unit, unit step-up transformer and auxiliary transformer.

Each Generator shall develop operating practices and procedures, coordinated with PJM, for normal and emergency operation and assistance in remedial action. These practices and procedures must incorporate the applicable standards and requirements contained in the PJM Manuals and the NERC Reliability Standards.

Conditions may be encountered on the PJM system, which require participation in remedial action. These include, but are not limited to: actual or contingency flow or voltage-limit violations, violation of synchronous stability limits, low or high frequency, voltage reductions, system blackouts, and maximum and minimum generation conditions.

Each Generator shall immediately notify PJM of any condition that inhibits operating in a reliable manner or in a manner previously agreed upon. Such conditions include, but are not limited to the availability of fuel, inability to operate due to labor restrictions, equipment, environmental or weather-related problems.

To ensure that all PJM personnel responsible for the design and operation of the PJM system are familiar with equipment configurations, capabilities, and operating parameters, PJM may request, and the Generator shall provide in a timely manner, detailed information about the type, nature, and operating characteristics of the facility and all related equipment.



The Generator must keep and maintain accurate and complete records for Generator interconnection facilities. These records must contain information regarding the operation and maintenance of all equipment and must be consistent with good industry practice. The data in these records must be sufficient for PJM to comply with applicable regulatory requirements. The Generator must make these records available to PJM for inspection and copying as PJM may request.

Section 7: Generator Operations

Welcome to the *Generator Operations* section of the *PJM Manual for Generator Operational Requirements*. In this section you will find the following information:

- Description of the dispatching process (see “*Dispatching of Generation*”).
- Switching requirements for all equipment a Generator Resource owns, operates or controls (see “*Switching Requirements*”).
- Generator information and reporting requirements (see “*Critical Information and Reporting Requirements*”).
- Requirements and procedures for Generator synchronization and disconnect (see “*Synchronization and Disconnection Procedures*”).

7.1 Dispatching of Generation

7.1.1 Generator Real-Power Control

The Generator must deliver the electric energy generated by the facility to PJM at the point(s) of interconnection in the form of 3 phase, 60-Hertz alternating current at the nominal system voltage at the point of interconnection.

Generators and their protective systems (relaying, V/Hz, etc.), larger than 20 MW, should meet the frequency guidelines listed in Manual M36, System Restoration, Section 2.3, to coordinate with system preservation under-frequency load shedding. Additionally, generators and their protective systems should be capable of operation at over-frequency up to 62 Hz for a limited duration.

At no time shall the operation of the generating facility, including the associated generators or any of their auxiliary devices, result in an electrical output in which harmonic distortion exceeds the recommended limits contained in IEEE Standard 519, which defines voltage waveform and harmonic content.

The generator shall operate on unrestricted governor control to assist in maintaining interconnection frequency, except for the period immediately before being removed from service and immediately after being placed in service. Governor outages during periods of operations must be kept to a minimum and must be immediately reported to PJM. When a generator governor is not available, the unit output should not fluctuate from pre-scheduled output unless otherwise directed.

System conditions permitting, Generators must respond immediately to a PJM request directing a change in generation output and must proceed at a rate which is within 2% of the generator's stated ramp-rate, until the prescribed output is reached.

7.1.2 Voltage and Reactive Control

Over-voltage and under-voltage protection systems must be capable of allowing abnormal system operations within PJM post-contingency operating limits. Momentary voltage fluctuations are permitted provided they neither disturb service provided by PJM or the Generator on their respective systems nor hinder PJM from maintaining proper voltage conditions on its system.

All Generators must install and have available generator field-excitation regulators (voltage regulators). The reactive output of the generator must be regulated in the manner specified by PJM and/or the Local Control Center. The PJM Transmission Owners or PJM must supply and communicate voltage schedules and a low and high voltage bandwidth to all Generation Owners/Operators in its zone meeting the following criteria:

- individual generating units greater than 20 MVA
- generators that aggregate to 75MVA or greater that are connected to a common bus
- black start generators
- any other Generation Owners/Operators that request a voltage schedule

Any Transmission Owner or Generation Owner/Operator wishing to exempt a generator from following a voltage schedule must provide a written request to the PJM System Operations Subcommittee Chair, to include the engineering basis for such exemption and the type of schedule (reactive or power factor) that will be communicated to the generator.

Generation Owners/Operators must coordinate any voltage schedule issues (including stability, automatic voltage regulator and power system stabilizer outages) with PJM and the PJM Transmission Owner. In the event that automatic voltage regulating devices are out-of-service, the Generator shall provide manual voltage regulation to maintain the prescribed voltage schedule. The Generator must notify PJM and the Local Control Center with as much lead-time as possible prior to performing all voltage regulator and power system stabilizer maintenance. Notifications of unplanned outages on automatic voltage regulators (AVR) and/or power system stabilizers (PSS) must be communicated to PJM and the Local Control Center as soon as possible but no later than within 30 minutes of the occurrence. For modeling accuracy the provision of telemetered AVR and PSS status points by Generator Operators to PJM is preferred.

When PJM determines that system conditions warrant a change, the Generator may be requested to deviate from the predetermined voltage or reactive power schedule. PJM may direct a facility to operate in lead, lag, or unity power factor as long as the direction is within the unit's capability.

During an emergency, the Generator must participate in a voltage reduction declared by PJM and operate the facility at the voltage level requested by the Local Control Center. Unless PJM requests a manual adjustment, the Generator must maintain the facility's automatic voltage regulator(s) in service during an emergency.

Note: Refer to PJM Manual M-03, Transmission Operations, Section 3.3.3 for additional information on Generator Voltage Schedules and Operations.

7.1.3 Notification to PJM for Reactive Power Resource Status during Unit Start-up

Generators may elect to operate their AVR in manual mode when synchronized and producing MW's during startup until minimum load is achieved (or during shutdown as applicable) in order to ensure overall unit stability (or based upon other physical equipment limitations). For those units that register as a Generator Operator in accordance with the NERC Statement of Compliance Registry Criteria, if PJM Dispatch received notification of the generator start-up or shutdown no additional notifications to PJM regarding AVR status

will be required unless the AVR is not returned to automatic mode once minimum load is achieved.

7.1.4 Generator Operation under Constrained System Conditions

Under normal conditions, each Generator limits its generating output to the value specified in the pre-scheduling information for that hour or to the value directed by the PJM control signal. However, when the system is constrained, PJM may direct the Generator to deviate from these values any time reliability principles and standards are violated.

Where practical, PJM will direct all non-cost measures to be implemented prior to requesting Generators to redispatch. Specific details concerning operation of the transmission system under constrained conditions can be found in the *PJM Manual for Transmission Operations*.

7.1.5 Generator Operation under Emergency Operating Conditions

Each Generator must limit its generating output to the value specified by its pre-scheduling information for that hour or to the value directed by PJM. PJM has the authority to direct deviation from the pre-scheduled values any time applicable reliability principles and standards are violated.

In order to maintain system reliability during emergency operations, it is critical that Generators respond to directives from PJM. Typical directives are outlined in the PJM Manual for *Emergency Operations*. Note that these directives may require a Generator to provide additional operational data required by PJM for supplementary system analysis.

In general, a Member's responsibilities during emergency operation include:

- Taking other actions, as requested or directed by PJM, to manage, alleviate, or end an emergency.
- Cooperating with each other and PJM to carry out the emergency procedures and to implement requests and instructions received from PJM for the purpose of managing, alleviating, or ending an emergency.
- Providing notification and other information to governmental agencies as appropriate.
- Collecting, storing, and providing data and other information to PJM to facilitate preparation of reports required by governmental or industry agencies as a result of an Emergency.
- Cooperating and coordinating with PJM and other PJM Members in the restoration of all or parts of the Bulk Electric System in the PJM Balancing Authority.

Additionally, a PJM Generation Owner controlling the output of a Capacity Resource must take or arrange for any or all of the following actions, when directed by PJM, to manage, alleviate or end an emergency:

- Reporting the operating status and fuel situation.
- Canceling testing and maintenance.
- Reducing non-critical plant load.
- Directing personnel to unattended generation sites.
- Starting (including black-start) and loading generation, as directed.

- Reducing output to emergency minimum generation.
- Shutting down generation.
- Interrupting sales for delivery to loads outside the PJM Balancing Authority.
- Selling energy to other Balancing Authorities as requested during emergency conditions in other Balancing Authorities.
- Maintaining records of emergency actions taken and the results achieved.

During an emergency (as determined/declared by the Local Control Center or by PJM) the Generator shall respond as promptly as possible to all directives from the LCC or PJM. These directives may relate to actual or contingency thermal overload of electrical circuits or actual or contingency high/low voltage conditions.

The LCC or PJM may also direct the Generator to:

- Increase or decrease the facility energy and/or reactive output
- Connect or disconnect the facility from the PJM electrical system, and/or
- Deviate from the prescribed voltage or reactive schedules.

If safety or system reliability conditions warrant, the LCC may isolate the facility from the PJM electrical system without prior notice to the Generator or upon such notice as is possible under the circumstances. The LCC shall advise the Generator as soon as possible of any forced outages of the PJM electrical system that affect the facility's operations.

The Generator and PJM shall maintain communications and contact during all PJM or LCC emergency operations. When the LCC or PJM has determined that the emergency conditions have been alleviated, the LCC or PJM shall inform the Generator and allow the facility to return to normal operations.

To safely restore the Transmission System following the outage of any facility, the facility isolated from the PJM electrical system shall be allowed to reconnect only under the direction of the LCC or PJM. In all cases, the facility shall be made ready to return to service and provide energy to the PJM system as soon as possible.

Criteria for determining certain emergency conditions are reviewed in the following tables.

Capacity Shortage Procedures			
Condition	Alert	Warning	Initiation
Maximum Emergency Generation Alert	Requested in Operating Plan on prior day.		When demand is greater than highest normal bid.
Unit Start-up Notification Alert	Placing units in state of readiness		When anticipating shortage of operating capacity, stability issues or constrained operations for future periods.
Primary Reserve	Reserve is less than primary requirement.	Reserve is less than primary requirement but greater than spinning reserve.	
Load Management Curtailment			When generation is not available to meet forecast demand.
Voltage Reduction	Estimated reserve is less than forecast spinning reserve requirement.	Synchronized reserve less than spinning requirement.	When load relief is needed to maintain tie schedules or relieve transmission constraints.
Voluntary Customer Load Curtailment	Forecasted reserve indicates a probable need for this action.		When earlier procedures have not produced needed load relief.
Radio / TV Appeal			When earlier procedures have not produced needed load relief.
Manual Load Dump		Reserves are less than largest contingency.	When earlier procedures have not produced needed load relief.

Exhibit 9: Criteria for Determining Capacity Shortage Emergency Conditions

Light Load Procedures			
Condition	Alert	Warning	Initiation
Minimum Generation Alert	To provide alert that system conditions may require the use of emergency procedures		When expected generation levels are within 1000 MW of normal minimum generation limits
Compile report of Emergency Reducible Generation (ERG)			Prior to Light Load Period
Reduce all units to normal minimum generation			During the Light Load Period
Minimum Generation Emergency Declaration		To notify members further generation reductions are needed to meet the minimum load during the valley period.	At determination of PJM dispatcher
Minimum Generation Event		PJM declares event and requests percentage of ERG as needed (stepped process) to maintain system control	When utilization of ERG is necessary to match the decreasing load
Cancellation			Takes place in reverse order of implementation as PJM load begins to exceed generation and actions taken are no longer necessary

Exhibit 10: Criteria for Determining Light Load Emergency Conditions

7.1.6 Black Start

The LCC must have and maintain the capability and authority to conduct black starts with all generators in the PJM Balancing Authority that are within their respective zones. Voice communication (LCC-to-plant) tolerant of major power system failures is the minimum requirement to achieve black start. Private communication systems on un-interruptible power supplies (UPS) and radio systems are examples of this type of system. The current satellite-phone voice communication from PJM to the LCCs meets the minimum requirements for PJM-to-LCC communication. The current PJM approach of communicating directly through the satellite (avoiding the ground station) is designed to be tolerant of major power system failures. Black Start unit operators shall not permit their fuel inventory for Critical Black Start CTs to fall below 10 hours – if it falls below this level, unit operators shall notify PJM and place the unit in Max Emergency.

Specific details concerning procedures that the PJM OI follows to ensure, monitor, and perform accounting for Black Start Service can be found in the *PJM Manuals for Pre-Scheduling Operations M-10, Balancing Operations M-12, and Open Access Transmission Tariff Accounting M-27*.

7.2 Switching Requirements

A Generator is responsible for switching all equipment it owns, operates, or controls. A trained person must be available within a maximum of two hour's notice for the purposes of performing switching. Specified devices isolating the facility from the Transmission System shall be switched by the Generator or the Local Control Center (according to the configuration and contract) whenever requested by PJM. These devices must be locked if applicable and tagged to provide adequate safety.

The Generator's switching procedures shall at all times be followed precisely by the Generator and be closely coordinated between the Generator and the Local Control Center. Either party (Generator or LCC) must provide a written copy of in-effect switching procedures to the other party upon request.

If requested by the Generator, specified Local Control Center devices shall be operated and tagged by the Local Control Center according to the Local Control Center's switching and tagging practices and safety rules. Local Control Center switching and tagging practices and safety rules shall apply to all situations involving the Local Control Center and any Generator personnel involved with Local Control Center switching and tagging.

7.3 Critical Information and Reporting Requirements

PJM is responsible for coordinating and approving requests for necessary outages of generation and transmission facilities. This assures the reliable operation of the PJM Balancing Authority. PJM maintains records of outages and outage requests for these facilities.

The procedure begins when a designated resource owner and/or an entity acting on their behalf submits an outage request via eDART. The outage request is recorded electronically and can be accepted or rejected by the PJM Dispatcher. Refer to the PJM Manual M10, *Pre-Scheduling Operations* for information on the outage request procedure and request tracking via eDART.

It is important to emphasize that PJM does not schedule or determine when outages should take place. PJM only accepts or rejects the requests for outages submitted by Members. It is the responsibility of each Generator to determine its own best schedule of outages.

Outage requests are honored by PJM on a first come-first served basis. Requests are rejected only when they affect the reliability of the PJM Balancing Authority.

7.3.1 Planned Outage

The Generator shall provide PJM with written notice of its intent at least thirty days prior to performing planned maintenance of the facility, including turbine, generator, and boiler overhauls or inspections, testing, nuclear refueling, etc. Planned Outages usually occur during those seasons of the year when the peak demand on the power system is lowest and are not to be scheduled during the PJM Peak Period Maintenance Season.

When feasible, the Generator shall provide PJM with written notice of its intent at least thirty days prior to testing protective apparatus associated with generator interconnection facilities, including circuit breakers, relays and auxiliary equipment. PJM personnel or designated Local Control Center personnel may observe such testing.

The Generator shall notify PJM and the Local Control Center of its intent to remove electrical equipment from service by 10:00 a.m., three working days prior to the start of the planned outage.

An additional notification to PJM and the Local Control Center is required at least 20 minutes before the planned outage begins.

PJM may request the Generator to delay or reschedule the planned outage if system-reliability conditions warrant.

To the extent practical, PJM will provide to the Generator advance notice of PJM's intention to perform planned maintenance on reportable PJM transmission facilities that may affect the Generator's operations.

7.3.2 Maintenance Outage

A maintenance outage is an outage that may be deferred beyond the next weekend but requires that the Capacity Resource be removed from service before the next planned outage. Characteristically, these outages may occur throughout the year, have flexible start dates, are much shorter than planned outages, and have a predetermined duration established at the start of the outage. The duration of these outages are normally limited during the PJM Peak Period Maintenance Season.

7.3.3 Unplanned Outage

The Generator may not remove any equipment from service without prior notification to PJM and the Local Control Center (LCC) except in the case where equipment must be disconnected from the system without PJM approval to prevent injury to personnel or damage to equipment.

However, if the Generator has any advanced knowledge of an unplanned outage, the Generator shall notify the LCC with as much lead-time as practical. For reliability reasons, the Generator shall notify the LCC as soon as reasonably possible of the following:

- The starting time of the unplanned outage.
- The energy reduction resulting (or expected to result) from the unplanned outage.
- The estimated time the equipment incurring the unplanned outage is expected to return to service.
- The time the Generator equipment is actually returned to service.
- The reason for the outage.

The Generator must submit a record of the events and circumstances giving rise to the unplanned or forced outage to PJM as soon as reasonably possible. The Generator must also notify PJM of any unusual operating conditions which may result in the reduction of output or tripping of multiple generators offline.

In addition, the Generator must notify PJM of any system conditions, whether a result of equipment failure or mandated restrictions (plant, governmental, etc.), which may result in potential generation reduction or controlled shutdown of any generator.

Additional details regarding Planned, Maintenance, and Unplanned outages can be found in the *PJM Manual M10, Pre-Scheduling Operations*.

7.3.4 Generating Unit Reactive Capability Reporting

Generating Unit Reactive Power is a primary method of providing voltage support on the PJM system. A lack of deliverable Generating Unit Reactive Power, which is relied upon to be available based on reported Reactive Capability, can result in PJM system reliability problems including voltage collapse. Whereas, proper reporting can result in controlled measures, such as generation adjustment in lieu of unanticipated load shedding to address inadequate Reactive Power Reserves.

Generating Unit Reactive Capability is a measurement of the reactive power able to be delivered by a generating unit to the transmission system. It is defined by the MW versus MVAR points of a generator capability curve. To help maintain a reliable transmission system, each Generation Owner/Operator must provide capability curve information to PJM via eDART as soon as the information is available. The Local Control Center for the Transmission Zone where the unit is located will be automatically notified via eDART, as well as any other Local Control Centers with eDART authority to receive automatic notification for the unit. For real-time changes, each Generation Owner should also notify PJM and the respective LCC via phone. "Continuous Unit Reactive Capability Curve" data must be provided as follows via eDART:

- *Continuous Unit Reactive Capability Curve (required to provide)* - data that provides the realistic usable reactive output that a generating unit is capable of delivering to the PJM Interconnection and sustaining over the steady state operating range of the unit.

The PJM EMS Real-Time and Study Network Applications, Seasonal PJM Operating Studies, and PJM Planning Studies use Continuous Unit Reactive Capability Curves for actual pre-contingency steady-state analysis and for simulated post-contingency security analysis.

The Generator Operator shall notify PJM as soon as practical, but within 30 minutes of any temporary unit performance issues, including reactive capability derates or status or capability change on any generator Reactive Power resource, such as the status of each automatic voltage regulator and power system stabilizer and the expected duration of the change in status or capability and a status or capability change on any other Reactive Power resources under the Generator Operator's control and the expected duration of the change in status or capability.

The Generating Unit Reactive Capability determination should reflect planned unit modifications and real-time limitations caused by system voltages, unit transformer tap position setting, temperature, operating conditions and restrictions, station auxiliary equipment, generator terminal bus voltage limitations, and auxiliary bus voltages limitations. There may be different limiting conditions for either leading or lagging reactive capability.

Planned modifications (tap changer adjustment, GSU replacements, turbine modification, etc) that impact generator reactive capability should be communicated to the impacted TO and PJM as far in advance as possible but no later than the return of the unit from the outage. Changes should be communicated via eDart.

To ensure accuracy of generator reactive capabilities that may result from planned unit modifications, a critical input to PJM and Transmission Owner security analysis packages, PJM requires that each Generation Owner/Operator review and confirm their unit reactive capability data via eDART on a bi-annual basis. PJM and the Transmission Owners should

then verify accuracy of unit reactive capabilities modeled in their respective EMS systems. The bi-annual review periods are defined as follows:

- Pre-Summer Review: From April 1 through April 30, Generator Owners should review their unit reactive capabilities in eDART. From May 1 through May 31, PJM and Transmission Owners should review and update EMS reactive capabilities based on the updated data in eDART.
- Pre-Winter Review: From October 1 through October 31, Generator Owners should review their unit reactive capabilities in eDART. From November 1 through November 30, PJM and Transmission Owners should review and update EMS reactive capabilities based on the updated data in eDART.

See Attachment D for a detailed description of the PJM Generating Unit Reactive Capability Curve Specification and an explanation of the PJM Reactive Capability Reporting Procedures.

A reactive test shall be performed as soon as practical following any planned upgrades which impact a unit's reactive capability. Estimated or calculated reactive capability data (D-Curve) must be provided as an interim measure until a reactive test can be performed.

PJM requires periodic verification of reactive capability via real-time testing. See Attachment D for PJM Generating Unit Reactive Capability Curve Specification and Reporting Procedures, Attachment E for a detailed description of the PJM requirements for Generator Reactive Capability Testing and Attachment F for detailed procedures on scheduling and conducting reactive tests.

7.3.5 Fuel Limitation Reporting

Background and Intent

PJM needs data concerning unit fuel reserves for it to reliably operate the PJM Balancing Authority and its associated markets. This is especially true during periods of severe weather and/or times when there are external fuel constraints (i.e., coal strike, oil embargo). During PJM's last capacity driven load dump situation (Winter Freeze, 1994) the fuels data provided by PJM's members reduced the severity and duration of actual load curtailments.

It is the intent of this procedure to require all capacity resources to report fuel data so that in severe situations, PJM can continue to make the calls that are in the best interest of all its members. In contrast with past procedures, where PJM could have used this data to restrict the output of various generators based upon their fuel limitations without financial compensation, PJM will now use the information to assist the market in providing solutions to emergency situations.

PJM's authority to require all capacity resource owners to provide these reliability based reports is found in the PJM Operating Agreement (11.3 Member Responsibilities; 11.3.1 General; 1.10 Emergency, line ii) and referenced in NERC Reliability Standards EOP-001 and EOP-004.

Seasonal Reporting

Prior to going into the winter season, PJM may notify and request from all members with capacity resources, by unit report of fuel information. Additionally this information may be requested at other intervals as deemed necessary such as a fuel crisis (i.e., embargo, strike) or forecasted period of severe cold weather.

An electronic spreadsheet will be sent to participants indicating required data (see Sample Fuel Baseline Data exhibit below). The required data will include information such as each unit's:

- available primary fuel
- available secondary fuel
- projected fuel inventory (in terms of MWh)
- typical fuel inventory (in terms of MWh)
- average amounts of fuel per delivery (in terms of MWh)
- delivery frequency
- amount of firm gas schedules

While some of this data may represent broad projections, it will assist in providing a baseline that can be compared to data submitted in the real-time reporting process to assist in determining the severity of specific emergency conditions.

Fuel Baseline Data													DATE: 1/30/01		
Company	Plant Name	Unit Type	Winter (kW)	Primary Fuel		Alternate Fuel		Primary Fuel Availability (MW-Hours)	Primary Average Fuel Availability (MW-Hours)	Alternate Fuel Availability (MW-Hours)	Alternate Average Fuel Availability (MW-Hours)	Gas Schedules (% of Firm)	Average Delivery Amount	Delivery Frequency	Comments
				Fuel Type	Transport Method	Fuel Type	Transport Method								
Company A	Unit 1	GT	7,000	NG	PL	KER	TK	1200	1400	600	470	37%	35	3/DAY	
Company A	Unit 2	ST	10,000	FO6	RR			2000	1800				60	5/DAY	

Exhibit 8: Sample Data (Fuel Baseline)

Real-Time Reporting

When PJM receives a severe cold weather forecast or foresees a potential fuel crisis (i.e. embargo, strike), real-time updates of fuel limited units will be requested of members via Part G of the Supplementary Status Report (see Attachment C of PJM Manual for Emergency Operations M-13). This data will also be reported in other situations when a Supplementary Status Report is requested, such as Capacity Shortage emergencies.

A unit is considered fuel limited when it is not capable at running at its maximum capacity for the next 72 hours. If a unit has an alternate fuel which would allow it to run at its maximum capacity for more than 72 hours, it does not need to be reported. However, if switching fuels involves a shut down and introduces the risk of the unit not being able to re-start after the switch, the unit should be reported if its primary fuel supply would produce less than 72 hours of runtime at maximum capacity. Besides fuel, the limitation of other resources, such as water, may also restrict the amount of time a unit will be able to operate. If a unit has less than 72 hours of run time at maximum capacity due to any resource limitation, it along with

any fuel limited units should be reported in Part G, "Resource Limited Units," of the Supplementary Status Report (see Attachment C of *PJM Manual for Emergency Operations, M-13*). The following information should be included:

- Unit Name—The name of the unit(s) (units with shared resource supplies should be listed together) that are considered resource limited.
- Fuel type
- Maximum Capacity—The current maximum capacity of the unit(s).
- Emergency Minimum—If a unit cannot cycle due to uncertainty of starting up again, Emergency Minimum must be included with a note in the Comments section.
- Current Energy—Current MW output.
- Total Burn Hours Remaining —Total burn hours remaining with unit at max capacity.
- Comments—If a unit is limited for a resource other the fuel, this should be noted in this column as well as any other pertinent information on the unit.

In addition to unit information submitted to PJM via Part G of the SSR, members should also monitor fuel inventories for the following minimum levels:

- Oil, Kerosene, or Diesel CTs - Less than or equal to 16 hours at maximum capacity.
- Gas CT's - Less than or equal to 8 hours at maximum capacity. Generation dispatchers should inform PJM dispatch if the gas limitation is daily.
- Steam - Less than or equal to 32 hours at maximum capacity.

In the event the above levels are reached, generation owners must immediately report this to the PJM Master Coordinator (610) 666-8809.

PJM's Use for Fuels Data

PJM uses the fuel data in conjunction with the other data reported in the SSR to evaluate system conditions. Reports such as the PJM System Status Report (see Attachment C of the *PJM Manual for Emergency Operations M-13*) are compiled. Some portions of the reports are posted electronically via the internet or faxed to members so all members can assess the severity of the impending weather and available generation capacity. Additionally reports derived from this information are used to lead strategy discussions among SOS Transmission members about the criticality of the situation and to determine the timing of various emergency procedures that may be used.

An invitation may also be posted to other members to attend a PJM SOS conference call to discuss the meaning of this data and how it may result in various emergency procedures.

At no time in any of these communications or discussions will individual units or company's data be distributed or divulged. PJM will treat this information with the greatest degree of confidentiality. Discussions on individual units or company's fuel status will only occur between PJM and the generation owners who provided the data. During group discussions, PJM will only discuss what possible emergency actions are foreseen or what aggregate fuel crisis exists.

Unit specific Fuel Limitation Information is considered proprietary and confidential, and will not be distributed amongst participants. Only aggregate information will be discussed for the

sole purpose of developing reliable operating strategies during projected capacity deficient conditions.

Operation of Fuel Limited Units

PJM requests companies that have units classified as fuel or resource limited units to bid these units in the Max Emergency category. This will serve to preserve these resources for the times when they are needed most. If a unit bid into PJM has resources of less than 32 hours (at maximum capacity) for a steam unit, or 16 hours (at maximum capacity) for a liquid fired CT or Diesel, or 8 hours (at maximum capacity) for a gas fired CT, and PJM has issued a Cold or Hot Weather Alert, then the unit must be bid in the Max Emergency category.

PJM will continue to schedule system generation based upon the Two Settlement methodology and generator owner's individual bids. If PJM has particular concerns over units deemed critical to current or future system conditions, then PJM will initiate individual communications with the members responsible for those units.

If PJM asks a unit to operate differently than what was accepted in the day-ahead market (in order to conserve the unit's current fuel), then this unit would be paid its lost opportunity cost for the accepted hours that it was not run. (Reference Operating Agreement, section 3.2.3, (e), (f)).

7.4 Synchronization and Disconnection Procedures

The Generator must obtain approval from PJM at least 20 minutes prior to synchronizing the facility to, or disconnecting the facility from, the PJM electrical system. In addition, the Local Control Center must be notified when synchronizing or disconnecting from the Transmission Owner's system. The only exception is when equipment must be disconnected from the system without PJM approval to prevent injury to personnel or damage to equipment. If the disconnection occurs without prior PJM approval, the Generator shall immediately notify PJM and the LCC as to the cause, energy reduction, and the expected return time. The Generator must notify PJM prior to attempting a restart if the unit was operating for PJM and tripped or was scheduled to operate for PJM and failed to start. PJM will then assess if the unit should be restarted for system reliability or economics and notify the Generator.

The Generator must keep the LCC and PJM dispatchers informed at all times of the facility's availability or any change in status. Additional requirements appear in the PJM Manuals for Pre-Scheduling Operations M-10, Energy & Ancillary Services Market Operations M-11, Balancing Operations M-12, and Control Center and Data Exchange Requirements M-01.

The facility shall normally be operated with all of the Generator's protective relays (primary or back-up) in service whenever the facility is connected to, or operating in parallel with, the PJM electric system. The facility may operate for a limited time to perform maintenance with one set of redundant relaying in service. PJM and the Local Control Center shall be notified of such occurrences.

Section 8: Wind Farms Requirements

Welcome to the Wind Farms Requirements section of the *PJM Manual for Generator Operational Requirements M-14D*. In this section you will find the following information:

- Description of Wind Farms data requirements.
- Description of PJM Wind Power Forecasting service.
- Refer to Attachment L, Wind Farm Communication Model and Attachment M, Wind Unit Dispatchability Check List for additional wind farm requirements.

8.1 Computer System Data Exchange

The PJM SCADA system allows PJM to communicate directly with individual generators or Generation Control Centers. A data concentrator (e.g. Remote Terminal Unit, Generator Management System, etc.) is located at the Member's site, and, after collecting data from the industrial metering equipment, communicates with PJM's SCADA system using either DNP(Distributed Network Protocol) or ICCC (Inter-Control Center Protocol) consistent with PJM Control Center Requirements Manual (M01).

Every Generator interconnected with and synchronized to the transmission system must at all times coordinate operation with PJM and the Local Control Center, providing all necessary and requested information and equipment status, to assure that the electrical system can be operated in a safe and reliable manner. Attachment L defines coordination models that are considered acceptable PJM Wind Farm Communication Models.

This coordination includes, but is not limited to:

- Supplying low side generator net-MW and MVAR output.
- Supplying meteorological data (wind speed, wind direction, temperature, pressure and humidity). Wind speed and direction required.
- Scheduling the operation and outages of facilities including providing advanced notification.
- Coordinating the synchronization and disconnection of the Wind Farm with PJM and Transmission Owner.
- Coordinating the dispatching of a generation unit utilizing the Wind "Curtailment Indicator."
- Providing data required to operate the system and to conduct system studies.
- Providing documented start-up and shutdown procedures including ramp-up and ramp-down times.
- Following PJM-directed plant operation during emergency and restoration conditions.
- Following PJM-directed operation during transmission-constrained conditions.

All data items, regardless of type, are collected and disseminated at a frequency of 10 seconds or less.

Each PJM Member is responsible for determining data-quality indicators for all data transmitted to PJM. Both failed individual values and any value calculated using a failed

point must be flagged. When a point fails for an extended period, a manual update of the point's value may be necessary to keep the data as accurate as possible. The Generator shall communicate the outage of any data communication equipment connecting the facility to PJM Dispatch.

8.2 Wind Farm Data Requirement for Wind Power Forecasting

PJM's Wind Power Forecaster requires data points from the wind farms to accurately forecast the wind power. The following are the data requirements for wind farms:

8.2.1 Initial Data Requirements

The Wind Farms are required to provide the following data points for each turbine as part of their initial set up so they can be properly modeled within the Wind Power Forecasting Tool.

- General Turbine Information
- Class of turbine
- Capacity of turbine
- Power Generation Threshold Rates (i.e. minimum / maximum wind speed)
- Manufacture Power Curves of individual wind turbines
- Geographic location (longitude and latitude) of wind farm site or each turbine if available.
- Hub height of wind power facility
- Aggregate Historic data (measured MW output, outage information, and wind speed at hub height) for existing facilities that connect to PJM Transmission or bid into the PJM market.
- Ambient Temperature Operating Limits and information regarding installation of “cold weather packages” to increase thermal limit capabilities during extreme cold weather conditions.

Note: Aggregate Reactive Capability Curve (D-Curve) is required to ensure accuracy of PJM's EMS Security Analysis Results.

8.2.2 Aggregate Real Time Output

The Wind Farms are required to provide the real time aggregate Wind Farm MW output along with other data points. This output should be telemetered at low-side net and high side-net of the Wind Farm.

8.2.3 Real Time Meteorological Tower (or mutually agreed upon alternative source)

The Wind Power Forecasting accuracy is highly dependent on the availability of the real time meteorological tower data for tuning the forecaster model. Each wind farm must install at least one meteorological tower (or wind speed and direction from selected turbines' anemometer and wind vane) in the farm and provide real time meteorological data to PJM through ICCP or DNP link. Depending upon the topology and the accuracy of the Wind

Power Forecast, PJM may request addition of more meteorological towers at a Wind Farm site.

The height of the meteorological tower should be same or close to the hub height of the wind turbine. The generation owner should calibrate and check the accuracy of the met tower every year as per standard.

The meteorological data shall include the following parameters:

Parameter	Units	
Wind Speed	meters/second	Required
Wind Direction	Degree from True North	Required
Temperature	Fahrenheit	Preferred
Pressure	Hectopascals	Preferred
Humidity	percent	Accepted

8.2.4 Generator Outage Reporting (Aggregate Turbine availability)

PJM is responsible for coordinating and approving requests for outages of generation and transmission facilities, as necessary, for the reliable operation of the PJM RTO. PJM maintains records of outages and outage requests for these facilities.

The electronic Dispatcher Application and Reporting Tool (eDART) provides communication with PJM for generation operators regarding unit outage requests, updates to reactive capability curves (D-curves), and AVR statuses. Additional applications may be integrated in eDART in the future. User registration is available from the PJM Web site.

In eDart, a Wind Farm is modeled as a single unit with a capability equal to the sum of all turbines at full manufacturer's nameplate MW rating. Wind Farm aggregate turbine outage/derate information is required to validate and enhance the accuracy of the Wind Power Forecast. Generation Owners should not provide outage tickets related to wind speed since specific turbine parameters will be modeled within the forecast tool.

See the PJM Manual for Pre-Scheduling Operations (Manual 10) Section 2 Outage Reporting for the generation outages reporting.

Note: Due to the impact of planned/unplanned turbine outages on wind power forecast accuracy, wind resources shall report any outage of one megawatt or more with duration of one hour or longer. Outages shall be submitted on aggregate plant capacity by outage type.

8.2.5 Grid Capacity Limit (Constraints or Economic Curtailments)

PJM is responsible for capturing congestion and economic curtailment directives and providing the data as inputs into the Wind Power Forecasting Tool.

8.2.6 Wind Power Forecast

PJM will collect the wind turbine/farm locations' real-time aggregate power output and meteorological data from the Wind Farms. The data will then be sent to the Wind Power Forecaster along with Wind Farm curtailment/outage information. All data shared with the

Wind Power Forecast vendor is treated as confidential. The Wind Power Forecaster will collect all of the data from PJM and other outside sources, such as global and regional weather forecasts, and after processing the data will send PJM the Wind Power Forecast and all associated data for the individual or aggregate Wind Farms as designated by PJM.

PJM does four different types of forecasts for each individual or aggregate Wind Farm. All the examples consider the current time to be T.

1. Short Term Forecast (T + 6): Update Wind Power Forecast with a frequency of every ten minutes and forecast interval of five minutes for the next six hours (6) for the individual or aggregate Wind Farms as designated by PJM.
2. Medium Term Forecast ((T + 6) + 42): Update Wind Power Forecast with a frequency and interval of every hour for the next forty two hours (42) for the individual or aggregate Wind Farms as designated by PJM.
3. Long Term Forecast (((T + 6) + 42) + 120): Update Wind Power Forecast with a frequency and interval of every hour for the next one hundred twenty hours (120) for the individual or aggregate Wind Farms as designated by PJM.
4. Ramp Forecast: (T + 6): Update Wind Power Ramp Forecast with a frequency of every ten minutes and forecast interval of five minutes for the next six hours (6) for the individual or aggregate Wind Farms as designated by PJM.

8.3 Forecast Data Usage

8.3.1 Real-time Reliability Assessment

PJM will use the Short-Term Wind Power Forecast to evaluate current day congestion and to ensure that sufficient generation resources are available to respond to real-time or projected fluctuations in Wind Power Output.

8.3.2 Day-ahead Reliability Assessment

PJM will use the Medium-Term Wind Power Forecast to predict day-ahead congestion and mitigating strategies and to ensure that sufficient generation resources are scheduled within PJM to meet forecast load, transaction schedules and PJM reserve requirements. PJM may choose to use the updated version of the day-ahead Wind Power Forecast provided by the forecaster after 1700 hours and before 1800 hours.

The Long-Term Wind Power Forecast may be used to analyze weekend or long holiday conditions.

8.3.3 Real-time Operating Reserve Settlement

PJM will use the Short-Term Wind Power Forecast in the calculation of Lost Opportunity Cost for wind resources in Real-Time. Further detail on the calculation can be found in Manual 28.

Section 9: Generator Deactivations

Welcome to the *Generator Deactivations* section of the *PJM Manual for Generator Operational Requirements*. In this section you will find the following information:

- Description of the PJM deactivation process (see “*Generator Deactivation Process*”).
- Methodology for compensation to Generators required to remain in service for reliability (see “*Compensation to Generators Requested to Remain in Service for Reliability*”).
- An exhibit showing the process flow diagram for generator deactivation.

9.1 Generator Deactivation Process

This section reviews the steps and timeline for the PJM generator deactivation process, and the potential results of the process. This section also reviews the methodology of compensation to generators requested to remain in service for reliability.

9.1.1 Generator Deactivation Request

Any generator owner, or designated agent, who wishes to retire a unit from PJM operations must initiate a deactivation request in writing to the PJM Generation Manager via the email address generatordeactivation@pjm.com no less than 90 days in advance of the planned deactivation date. Black start resources require up to 2 years advanced notice to maintain the rolling 2-year commitment per the PJM Tariff. This notice will include, at a minimum, the following information:

- Indication of whether the unit is being retired or mothballed;
- The desired date of deactivation;
- A good faith estimate of the amount of a project investment and the time period the generator would be required to be out of service for repairs, if any, that would be required to keep the unit in or return the unit to operation.

PJM Generation Department will notify PJM Planning, PJM Markets and the Independent Market Monitor. PJM will also notify the appropriate transmission owner(s) of the request with the agreement of the generation owner or designated agent. PJM will initiate preliminary analysis of the request.

Note that only official requests to deactivate a unit are subject to the following procedures and timelines. All official requests are subject to public posting on the PJM Web site. Any requests to analyze potential retirements will be treated as unofficial requests, and the PJM deactivation process will not begin until an official public request is received.

9.1.2 Initial Analysis

PJM Planning will perform an initial analysis of the request. PJM Planning will perform standard RTEP/MAAC analysis for the affected summer peaks. PJM Planning will also identify maintenance and appropriate sensitivity analyses to be performed in addition to standard tests. PJM will review planned system reserve levels and conduct appropriate deliverability analysis. In addition, the Independent Market Monitor will analyze the effects of the proposed deactivation with regard to potential market power issues.

9.1.3 Analysis Results

The initial analysis has the following potential outcomes: (1) No reliability or market power issue identified, (2) Reliability or market power issue identified, or (3) Economic or congestion impact identified (PJM identifies potential for additional congestion due to the deactivation).

No Reliability or Market Power Issue Identified

- If no reliability or market power issue identified, the generator can retire as soon as practicable.
- Black start resources will forfeit a maximum of 1 year of revenues per existing tariff. If the unit is a black start resource, PJM will identify feasible alternative sites, and request tariff based bids to replace black start. A bid to re-power (improve) existing resource will be considered. The lowest cost replacement black start resource will be selected.

Reliability or Market Power Issue Identified

- PJM will notify the generator owner, or its designated agent, within 30 days of the deactivation request if a reliability issue has been identified. This notice will include the specific reliability impact resulting from the proposed deactivation of the unit, as well as an initial estimate of the period of time it will take to complete the Transmission upgrades necessary to alleviate reliability impact
- Within 60 days of the original deactivation request, the generator owner or designated agent, will provide PJM with an update estimate of any project cost and the period of time for which the unit would be required to be out of service for repairs, if any, that would be required to keep the unit in, or return the unit to, operation.
- Within 75 days of the original deactivation request, PJM will provide an updated estimate of the period of time it will take to complete the Transmission upgrades necessary to alleviate reliability impact
- Within 90 days of initial deactivation request, PJM will inform the generator owner, or designated agent, and post on its web site full details of the transmission upgrades that will be required in order to allow the unit to deactivate.
- Black start resources will forfeit a maximum of 1 year of revenues per existing tariff. If the unit is a black start resource, PJM will identify feasible alternative sites, and request tariff based bids to replace black start. A bid to re-power (improve) existing resource will be considered. The lowest cost replacement black start resource will be selected.

Economic or Congestion Impact Identified

- If PJM identifies an economic or congestion impact (e.g., potential for additional congestion due to the deactivation), the generator can retire as soon as practicable.
- Black start resources will forfeit a maximum of 1 year of revenues per existing tariff. If the unit is a black start resource, PJM will identify feasible alternative sites, and request tariff based bids to replace black start. A bid to re-power (improve) existing resource will be considered. The lowest cost replacement black start resource will be selected.
- Any economic impacts will be analyzed through the existing FERC approved economic planning process.

9.2 Compensation to Generators Requested to Remain in Service for Reliability

Upon receipt of notification from PJM that a generating unit will be requested to operate past its desired deactivation date, the generator owner may file with FERC for full cost recovery associated with operating the unit until it may be deactivated. The cost calculations may be reviewed with PJM prior to filing at the election of the generation owner.

In the alternative, the generator owner, or its designated agent, may choose to receive avoided cost compensation according to the Deactivation Avoidable Cost Credit in Part V of the PJM Tariff. Avoidable expenses are incremental expenses directly required for the operations of a unit proposed for deactivation. The two major components to the avoid cost formula contained in the Tariff are:

- Categories of costs that are avoidable expenses
- Limited amount for necessary investment to keep unit in operable condition

Avoidable expenses do not include variable costs recoverable under cost-based offers to sell energy in PJM Interchange Energy Market. Additional investment over and above the limited component in the avoided cost formula must be filed as a separate rate. All inquiries regarding avoidable expenses are to be directed to the PJM Market Monitor

If the generation owner, or designated agent, chooses the compensation according to the Deactivation Avoidable Cost Credit in Part V of the PJM Tariff, compensation to the generator will begin as of the day following the filing, and will be net of revenues from the PJM markets. All revenues from the PJM markets and unit-specific bilateral contracts will be net of marginal cost of service recoverable under cost-based offers to sell energy from operating capacity of the PJM Interchange Energy market, not less than zero

- A 10% adder will initially be applied to the avoidable costs, and this adder will increase in future years. Applicable adders for future years are detailed and defined in Part V of the PJM Tariff.

Costs (avoidable cost rate minus net revenues) will be allocated as an additional transmission charge to the zone(s) for which the Transmission Owner(s) will be assigned the cost of the transmission upgrade.

If a generation owner, or designated agent, chooses to file for full cost of service with FERC, PJM begins crediting the generator the amount approved by FERC, on the timeline ordered by FERC as part of the approval. PJM also allocates the costs associated with these credits according to FERC order.

The following exhibit displays the generation deactivation process flow.

Generation Deactivation Process Flow

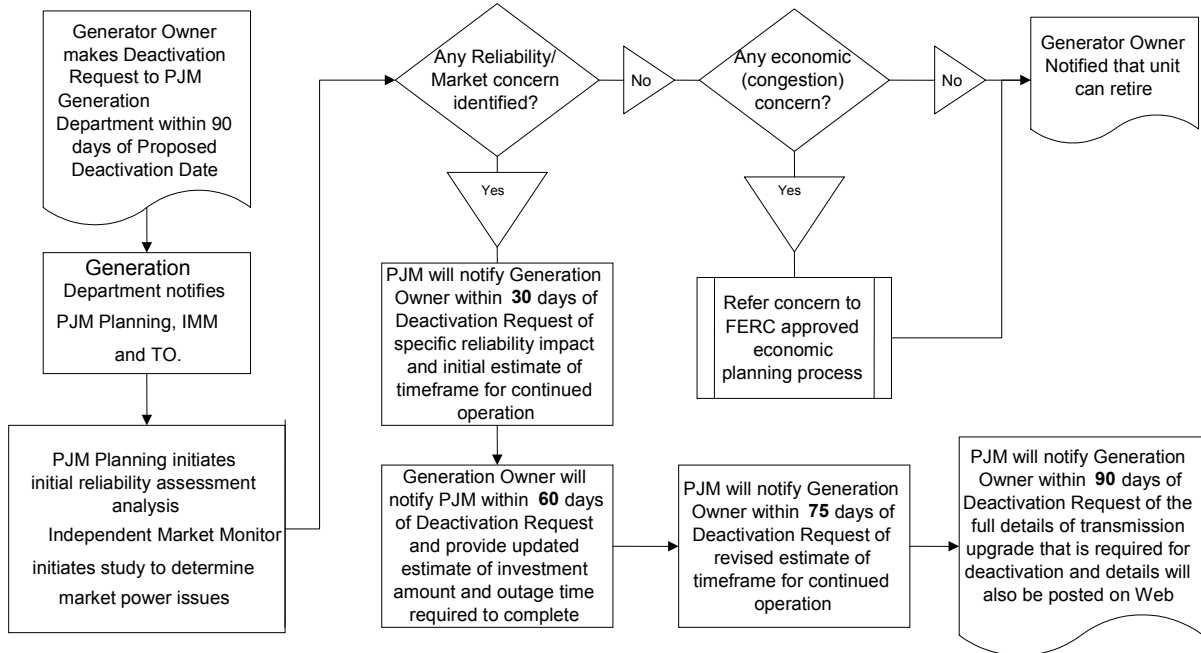


Exhibit 12: Generation Deactivation Process Flow

Section 10: Black Start Generation Procurement

Welcome to the *Black Start Generation Procurement* section of the *PJM Manual for Generator Operational Requirements*. In this section you will find the following information:

- Description of the PJM black start selection process.
- Description of the PJM incremental black start RFP process.

10.1 Black Start Selection Process

The following section outlines the PJM black start selection process.

10.1.1 Frequency

PJM will issue an RFP for black start generation every five (5) years, which would be open to all existing and potential new black start units on a voluntary basis. The first five year selection process will result in black start solutions that will be effective as of 4/1/2015. Black start solutions from subsequent five year selection processes will be effective on April 1 each five years thereafter.

10.1.2 Selection Process

The following steps A-H outline the various selection process phases to be implemented prior to the effective date for each five year selection process. The timeframes indicated represent time estimates (in calendar days or months) for each major phase (or multiple overlapping phases). Based on the aggregate of timeframes indicated, the selection process will be initiated no later than 24 months prior to each five year selection process effective date.

A. Validate Critical Load

PJM will send critical load data to GO / TO for validation. Critical Load requirements will be in accordance with Manual M36 Attachment A. PJM to work with GO / TO to reconcile differences and update accordingly.

Targeted time: 30 days

B. Develop Technical Requirements for RFP

PJM will coordinate technical requirements for RFP with TOs, including MW requirements, MVAR capability, and geographic details.

Targeted time: 30 days

C. Issue RFP for resources interested in supplying new Black Start

PJM will post the black start Request for Proposal (RFP) on the PJM website with notifications to the appropriate stakeholder groups. Interested bidders should review the guidelines posted on the PJM Black Start Services RFP page titled "General

Guidance: Black Start RFP Response Content” for guidelines on content of proposals.

The RFP notification will also advise that all bids submitted for black start resources must be cost-based bids consistent with Schedule 6A of the PJM OATT. Details of the required cost components for each prospective black start replacement bid are provided in Manual M27.

Prospective RFP proposals:

Existing black start units would offer at the current rate. Existing compensated black start units do not need to respond to the RFP - the assumption is that they will continue to provide black start service at the current rate (Formula Rate or Cost Recovery Rate), but are not guaranteed to be selected to provide black start going forward, if reductions in critical load indicate that the black start service is no longer needed.

If existing units are not interested in supplying black start service going forward, they would need to submit a black start termination notice in accordance with the black start incremental RFP process.

If existing units want to change their rate utilized for cost recovery, they would need to terminate their current agreement and submit a proposal for consideration as an RFP response.

New black start resources in Generation Interconnection Queue would be eligible to respond to the RFP.

Existing units that would require upgrades to provide black start service would be eligible to respond to the RFP

Market window for RFP bids to be submitted: 90 days

D. RFP Proposal Evaluation

PJM will work with the TOs to evaluate proposals and select viable black start solutions based on the basis of Critical Load requirements, location, cost and operational considerations (amount, start time, etc.).

Units on a cost recovery rate would automatically be selected for the length of the recovery period. Units on bilateral contracts with TOs would be automatically selected for use in those zones.

PJM will work in collaboration with TOs to select black start solutions for each zone based on the following criteria (black start units do not need to be located in the same physical zone).

Required criteria shall include:

1. Meet critical load requirements in accordance with Manual M36 Attachment C.
2. Minimum of two black start units allocated to each zone with a critical load requirement.
3. Ability to supply critical loads within targeted timeframes (i.e. nuclear loads with 4 hours).
4. Technical Feasibility:
 - a. Maintain voltages along cranking path within limits.
 - b. Maintain transmission flows along cranking path within thermal limits.
 - c. Maintain dynamic stability along cranking path.

Preferred options considered:

1. Operational Considerations:
 - a. Length of cranking path
 - b. Geographic diversity
 - c. Redundancy
2. Electrical proximity to critical loads
3. Timing requirements to serve critical load.
4. Test history and performance history of black start resource
5. Diversity and firmness of fuel source
6. Complexity considerations (i.e. amount of switching to establish cranking path)
7. Black Start costs
8. Timing of black start resource availability

Opportunity for cross zonal coordination

PJM will work with the TOs to identify areas to identify cross-zonal opportunities in as detailed in Manual M36 Section 9. Potential cross-zonal options include:

Level 1 – Allow black start from outside TO zone to meet critical load.

Level 2 – Allow critical load and customer load pockets to be restored across TO zones.

Level 3 – Identify opportunities to fully aggregate TO restoration plans.

E. Verify Feasibility of Black Start Units Selected

PJM, with TO input, will identify black start cranking paths and black start units to source Critical Loads.

PJM, with TO input, will perform dynamic simulations and reactive/voltage studies on cranking paths, and if issues are identified on cranking paths, other black start units will be considered.

F. Review of Cost Recovery components

PJM will perform cost evaluation for each option and review cost recovery components provided for proposed black start solutions in accordance with OATT Schedule 6A.

Length of commitment would remain a minimum of 2 years (or longer based on capital recover time). Compensation for units not electing to recover black start capital costs is based on the PJM OATT Schedule 6A formula rate. Compensation for units electing to recover black start capital costs would be based on the PJM OATT Schedule 6A Capital Recovery rate based on the age of the unit. Black Start unit owners may also choose to file for recovery of actual costs directly with FERC.

IMM will verify cost data during selection process and verify annual revenue requirement (actual cost).

G. Review Selection Process Results with TOs

If reliability criteria are met, PJM will discuss any localized reliability issues, or any other special considerations with TOs, and address accordingly.

If reliability criteria are not met, proceed to Reliability Backstop Option, detailed in PJM Manual M36 Attachment A.1.3

If reliability criteria are met, but there is disagreement on units selected, PJM will work with TOs to resolve differences. If differences cannot be resolved the Dispute Resolution Process may be initiated.

TO may elect to procure additional black start outside of PJM OATT and Selection Process.

PJM will inform State Commissions about the results of selection process (general results, not unit specific)

Targeted time for Steps D through G: 6 months

H. Implementation of Black Start Solutions

PJM will notify new black start solutions resulting from the selection process. This notification will include authorizing construction work to proceed as required for any new black start resources selected.

TOs will incorporate the use of black start generation and cranking paths into their restoration plans and submit revised restoration plans to PJM.

PJM and TO will add cranking paths to internal PJM tools

PJM will provide current black start units that are not selected with a one year termination notice.

Targeted time for Step H: 13 months

10.2 Black Start Incremental RFP Process

The following business process is defined for replacement of critical black start units in PJM when a Black Start Generator Owner (GO) that terminates its commitment to provide black start service. Portions of this Black Start Incremental RFP Process may also be initiated to request new black start resources due to any of the following events:

- The Transmission Owner identifies new or changed black start needs as a result of a review of its restoration plan.
- The Transmission Owner (TO) exercises its right to terminate the two-year commitment to a black start resource by providing notice of termination one year before the date the commitment period ends, in accordance with Schedule 6A of the PJM OATT.
- PJM terminates a Black Start Unit's designation as critical (e.g., due to reliability concerns, performance issues, or due to changes to its restoration plan) by providing two years prior notice of such termination in accordance with Schedule 6A of the PJM OATT.

10.2.1 Initial Black Start Commitment

Generators commit initially for at least two years to provide black start service from the black start service implementation date, with an annual right to terminate by each party (the generator owner and the transmission owner) with one year's notice. In the event that neither the Black Start Generator Owner (GO) nor the Transmission Owner (TO) exercises its right to terminate by providing a one year notice of termination, the commitment to provide Black Start Service automatically will be extended for an additional year to maintain a rolling two-year commitment.

In the event that a Black Start Unit fails to fulfill or chooses to deactivate or withdraw from black start service prior to its two year rolling commitment to provide Black Start Service, the Black Start Unit owner shall forfeit the received monthly Black Start Service revenues for the period of its non-performance not to exceed revenues for a maximum of one year.

10.2.2 Incremental RFP Process Step 1

Upon receiving a request from a GO to deactivate a black start unit or otherwise withdraw from providing black start service, PJM will notify the TO.

Timeline: Within 5 business days from receipt of the termination request.

10.2.3 Incremental RFP Process Step 2

PJM will discuss with the TO to identify feasible sites that meet the location and capability requirements for replacing the black start resource.

Timeline: Within 15 business days of receiving the termination.

10.2.4 Incremental RFP Process Step 3

If PJM and the TO determine that there is sufficient redundancy of black start resources in the region, consistent with the minimum critical black start requirement defined in Attachment A of PJM Manual M-36 on System Restoration, such that there is no need to replace the withdrawing or deactivating black start unit in the restoration plan, PJM will initiate a final review and approval through the SOS-T committee of the TO's restoration plan and advise the TO whether such plan is adequate without a replacement black start unit.

In the event that PJM and the TO do not agree on whether there is a need to replace the withdrawing or deactivating black start unit in the restoration plan, PJM will initiate a review with SOS-T for additional technical assessment, and if after the SOS evaluation, an agreement is not yet achieved, the PJM Dispute Resolution process will be employed. Please refer to Section 5 of the *PJM Manual for Administrative Services for the PJM Interconnection Agreement (M33)* for more details about the PJM Dispute Resolution process.

Timeline: Within 30 calendar days of receiving the termination request.

10.2.5 Incremental RFP Process Step 4

If PJM and the TO determine that there is a need to replace the withdrawing or deactivating black start resource, PJM will seek for replacement of the retiring black start resource using the process below.

Timeline: Within 30 calendar days of receiving the termination request.

- A. After PJM and the TO determine that there is a need to replace the deactivating or withdrawing black start resource in order to meet the defined minimum critical black start zonal requirement, and also determine the location and capability requirements, PJM will post online a notification about the need for a new black start resource along with the location and capability requirements. Please refer to Attachment A of the *PJM Manual for System Restoration (M36)* for more details on the selection criteria for replacement black start resources. This notification will also advise that all bids submitted for the replacement black start resource must be cost-based bids consistent with Schedule 6A of the PJM OATT. Details of the required cost components for each prospective black start replacement bid are provided in *PJM Manual for Open Access Transmission Tariff Accounting (M27)* and **Schedule 6A of the PJM OATT**.

- B. This posting should be made within 30 calendar days of receiving a request to terminate the existing black start resource, and will mark the beginning of a “Market Window” which will last 90 calendar days from the date of the notification. The posting will also advise that PJM will be reviewing pending generator interconnection projects and other projects that are received within the Market Window.
- C. PJM will review each Generation Interconnection Request pending under Part IV of the PJM Tariff at the time a Market Window is opened (as described above) and each request from Black Start Units and each Interconnection Request it receives during such Market Window, to evaluate whether the project proposed in the request could meet the black start replacement criteria for which the Market Window was established.
- D. The TO will also have the option of negotiating a cost based bi-lateral contract in accordance with the existing process outlined in Schedule 6A of the PJM OATT with a generator owner for black start services. The TO may provide the alternative as one of the bids for the black start replacement that will be evaluated by PJM in step 4E pending FERC approval.
- E. If PJM and the TO determines that more than one of the proposed projects within the 90 day market window meets the replacement criteria, the most cost-effective resource for the black start replacement will be chosen, provided the identified resource accepts and maintains designation as a market solution under Sections 36A or 41A of the PJM Tariff and executes the agreement(s) required thereunder. Submitted projects costs must be consistent with Schedule 6A of the PJM OATT

If no projects are received during the 90-day market window, PJM and the TO will revisit step 4A, and modify the location and capability requirements for the replacement black start resource, as well as the market window, if necessary, to allow more resources to become viable as replacements, even if sub-optimal.

If no projects are identified after the modified search criteria and market window, PJM and the TO will investigate the cause for the absence of bids, and recommend corrective action in accordance with the existing cost-based service process outlined in Schedule 6A of the PJM OATT, or address other barriers to entry identified by such investigation within the bounds of the existing tariff. In the process of this investigation, PJM will also identify limits for adjusting the cost of entry and other corrective actions within the bounds of Schedule 6A of the PJM OATT, beyond which PJM will discontinue efforts to incent a replacement black start unit.

- F. After PJM and the TO have identified the most cost-effective replacement resource, PJM and the TO will coordinate with the GO for the GO’s acceptance under the PJM tariff as a black start unit.

The replacement black start unit will be compensated for provision of the black start service in accordance with the existing process outlined in the PJM OATT. Schedule 6A of the PJM tariff sets forth a formula for payments to generators for black start service and the collection of such costs from transmission customers. The annual black start service revenue requirements of each generator are determined pursuant to this formula. The Schedule 6A formula includes allocation factors for fixed and variable generation costs, which are to be used “unless another value is supported

by the documentation of costs.” The generator owner may choose compensation under the formulaic rate by submitting the formulaic black start costs to PJM as outlined in Section 4 of the *PJM Manual for Balancing Operations (M12)*, or by filing for recovery of actual costs, with accompanying documentation, to the FERC.

10.2.6 Incremental RFP Process Step 5

If it is determined that a replacement resource will not be available prior to the proposed deactivation date of the black start unit or the proposed date of withdrawal of a black start unit from providing black start service, PJM, in accordance with the PJM Deactivation procedures (see Section 8 of this manual), will use the following process.

- A. PJM will identify whether there is a need to request that the generator continue to provide black start service beyond the planned deactivation date or withdrawal date of the black start unit, pending the upgrading of the transmission system in the form of replacement black start capability. Within 30 days of the GO’s notification of the proposed deactivation or withdrawal of the black start unit from providing black start service, PJM will notify the GO whether there is a need for the black start unit proposed for deactivation or withdrawal to continue operating beyond its proposed deactivation date or withdrawal date.
- B. In the event that such notice requests that a black start unit proposed for withdrawal from providing black start service (but which is not deactivating) continue operating, the notice shall request that such unit voluntarily fulfill its two-year rolling commitment to provide black start service.
- C. In the event that the notice requests that a black start unit proposed for deactivation continue operating, the notice shall provide an estimate of the time period that the black start unit is needed to operate beyond its proposed deactivation date.
- D. Within 30 calendar days of such notice by PJM, the GO shall notify PJM whether the black start unit will continue operating beyond its proposed deactivation date or withdrawal date.
- E. A black start unit proposed for deactivation that operates beyond its deactivation date shall be compensated pursuant to the deactivation procedures set forth below and in Part V of the PJM Tariff.
- F. A black start unit proposing to withdraw from providing black start service (but which is not deactivating) that continues providing black start service for its entire rolling two-year commitment shall receive black start service revenues pursuant to Schedule 6A of the PJM Tariff but will not be eligible for compensation pursuant to Part V of the PJM Tariff.
- G. In the event that, through the market window process described above, a replacement black start resource is identified, PJM, as soon as practicable, shall notify the GO of such replacement, that its black start unit no longer will be needed for reliability, and the date the black start unit may withdraw from providing black start service or deactivate without affecting reliability.

Section 11: Generator Data Confidentiality Procedures

Welcome to the Generator Data Confidentiality Procedures section of the PJM Manual for Generator Operational Requirements. In this section you will find the following information:

- Description of the PJM generator data confidentiality procedures.

11.1 Generator Data Confidentiality Procedures

In order for PJM to perform reliability assessment and analyses, generators are required to provide real time and scheduled outage data to PJM. While PJM has the overall reliability responsibility for the PJM RTO, local Transmission Owners have a similar responsibility to monitor and assess the reliability of their transmission systems and distribution systems. In order for the Transmission Owners to perform their local reliability functions, Transmission Owners need certain data about the generators to formulate a realistic basis for the analysis. The following Generator Data Confidentiality Procedures pertain to only real time data (real time MW, MVAR, and unit status) and scheduled outage data (start date/time, return date/time, and derate). Scheduled outage data includes both planned and maintenance outage data.

Transmission Owners require both real time and generator data to perform their reliability and planning functions. These transmission owner functions include, but are not limited to:

1. Real time EMS applications: state estimator and security analysis
2. Transmission owner's real time role
3. Transmission outage scheduling process
4. Reliability study and training

PJM may be requested to provide a Transmission Owner with generator data. The Transmission Owner's responsibilities are different for generators located inside or outside of their transmission zone. To see the list of Transmission Owner's Rights and Responsibilities for generator data outside of its zone, reference the Generator Data Confidentiality Agreement in Attachment I of this manual.

11.1.1 Generator Data within a Transmission Owner's Zone

For generator data within a Transmission Owner's zone that PJM presently receives, a Generation Owner may authorize PJM to release this information to the Transmission Owner. The Transmission Owner who seeks data initiates this process by signing a letter and sending it to the Generation owner. A template letter describing how to start this process can be found in Attachment K of this manual.

11.1.2 Generator Data outside a Transmission Owner's Zone

The Generator Data Confidentiality Procedures that follow are applicable when a Transmission Owner seeks generation data from PJM. If a Transmission Owner needs access to generator data outside of its zone, the Transmission Owner uses the following process developed by the PJM Data Confidentiality Working Group to evaluate and authorize PJM to provide all available requested data. The Transmission Owner may

request PJM to provide Real-time (MW, MVAR and status) as well as future scheduled generator outage data.

11.1.3 Process to Authorize Release of Real-Time Generation Data

If the transmission owner can answer “Yes” to any of the following decision points about the real time generator data, explained in detail in Exhibit 13, then the Generator Owner will authorize the release of the data. If a Transmission Owner cannot answer “Yes” to any of the conditions, they can request an exception. All requests for exceptions must be documented in an attachment to the Generator – Data Release Matrix.

Process to Approve Real-Time Data Request
<p>Decision Point 1: Is the Unit 2 Stations or less from the Transmission Owner’s Zone?</p> <p>If the unit is two stations or less from the Transmission Owner’s Zone, then the request for data must be approved and the data confidentiality plan should be implemented.</p>
<p>Decision Point 2: Does Unit Outage affect network line flows by more than 2% line rating?</p> <p>If a unit significantly changes line flows (changes by more than 2% line rating), it is important to get information on this unit’s availability out to the Transmission Owner. The line rating used should be the ratings at the peak ambient temperature set. If the unit outage affects network line flows by more than 2% line rating, then the request for data must be approved and the data confidentiality plan should be implemented.</p>
<p>Decision Point 3: Does Unit Outage affect Transmission Owner facility more than 5% dfax?</p> <p>A dfax lists the units that harm or help a facility and the percentage of harm/relief that each additional megawatt per unit brings. If an outaged unit could significantly harm or help a facility by more than 5%, it behooves the transmission owner to know the status of this unit. If the unit outage does affect the Transmission Owner facility by more than 5% dfax, then the request for data on the unit in question must be approved and the data confidentiality plan will be implemented.</p>
<p>Decision Point 4: Does Unit Outage affect Transmission Owner model values by 5%?</p> <p>If an outaged unit could change Transmission Owner model values by 5% or more, it is necessary for the Transmission Owner to know the status of the unit in question. If the unit outage does affect the Transmission Owner model values by 5%, the request for data must be approved and the data confidentiality plan will be implemented.</p>
<p>Decision Point 5: Is Plant interconnected at the 230 or above kV system?</p> <p>Higher kV interconnection implies that the status of the unit may impact the Transmission Owner system more, making this particular unit status important information to know. If the plant is interconnected at the 230 or above kV system, the request for data must be approved and the data confidentiality plan will be implemented.</p>
<p>Decision Point 6: Is Plant 500 MW or greater?</p> <p>A higher MW aggregate output of the plant implies that the status of the unit may impact a Transmission Owner’s system. If the plant is 500 MW or higher, the request for data must be approved and the data confidentiality plan will be implemented.</p>

Exhibit 13: Process to Approve Real-Time Data Request – Decision Points with Definitions

11.1.4 Process to Authorize Release of Scheduled Generation Outage Data

If the transmission owner can answer “Yes” to any of the following decision points about the scheduled generation outage data, explained in detail in Exhibit 14, then the Generator Owner will authorize the release of the data. If a Transmission Owner cannot answer “Yes” to any of the conditions, they can request an exception. All requests for exceptions must be documented in an attachment to the Generator – Data Release Matrix.

Process to Approve Scheduled Outage Data Request
Decision Point 1: Is the Unit 2 Stations or less from the Transmission Owner’s Zone?
If the unit is two stations or less from the Transmission Owner’s Zone, then the request for data must be approved and the data confidentiality plan should be implemented.
Decision Point 2: Does Unit Outage affect Transmission Owner facility more than 5% dfax?
A dfax lists the units that harm or help a facility and the percentage of harm/relief that each additional megawatt per unit brings. If an outaged unit could significantly harm or help a facility by more than 5%, it behooves the transmission owner to know the status of this unit. If the unit outage does affect the Transmission Owner facility by more than 5% dfax, then the request for data on the unit in question must be approved and the data confidentiality plan will be implemented.

Exhibit 14: Process to Approve Scheduled Outage Data Request – Decision Points with Definitions

11.1.5 Executing a Data Confidentiality Agreement

After evaluating the applicability of the data request with the above decision points, the Transmission Owner initiates a Data Confidentiality Agreement with each Generator Owner. An officer of the Transmission Owner signs three copies of the Generator Data Confidentiality Agreement and submits them to the Manager of the PJM Generation Department. When initiating the Agreement, the PJM Generator Member Company name on record with PJM needs to be inserted into the beginning of the Agreement by the Transmission Owner. Any questions about the official Member Company name should be directed to the Manager of the PJM Generation Department. The Agreement can be found in Attachment I of this manual. (An electronic version of the Generator Data Confidentiality agreement is also available from the Manager of the PJM Generation Department.)

The agreement (all three copies) must also contain a Generator – Data Release Matrix. This Matrix lists all the generator units that a Transmission Owner requests data from a Generator Owner. Note that if the Transmission Owner wants to execute Agreements with several Generator Owners, an Agreement and accompanying Matrix must be filed for each Generator Owner. The Generator – Data Release Matrix (three copies) must be signed by the Transmission Owner’s Operating Committee Member before it is sent to PJM. If a Transmission Owner does not have an Operating Committee Member, the PJM Member Committee Representative will sign the Matrix. A sample Generator – Data Release Matrix can be found in Attachment J. (An electronic version of the Generator – Data Release Matrix is also available from the Manager of the PJM Generation Department.) The Transmission Owner should train the employees that will be working with this data (certificate signers) so they understand the confidential nature of the data.

An officer at PJM signs the Agreement and the PJM OC Representative signs the Generator – Data Release Matrix. The PJM Generation Department will send all three copies of the Agreement (with Matrix included) to the appropriate Generator Owner for a signature from an officer of the company. At this time, the Operating Committee Representative (or PJM Member Representative) of the Generator Owner signs the copies of the Generator – Data Release Matrix. The Generator Owner then returns two copies of the Agreement (with Matrix included) back to the PJM Generation Department. PJM retains a copy of the executed agreement and matrix and sends a copy to the Transmission Owner for their records. After the Agreement has been executed, the Transmission Owner will be authorized to have the generator data.

If a Data Confidentiality Agreement has been executed between a Transmission Owner and Generator Owner, and the Transmission Owner wishes additional generator data, another Matrix (3 copies) should be filed requesting the new units. This Matrix should be initiated and authorized by the Transmission Owner's Operating Committee Representative (or PJM Member Committee Representative) and sent to the Manager of the PJM Generation Department. PJM's Operating Committee Representative will sign the Matrix and forward it to the Generator Owner's Operating Committee Representative. The Generator Owner's Operating Committee Representative will keep one copy of the newly executed Matrix and return the other two to the PJM Generation Department. PJM will retain one for its records and send the other back to the Transmission Owner. After the Generator Owner's Operating Committee Representative (or PJM Member Committee Representative) returns the signed Matrix to PJM, the Transmission Owner is authorized to receive the additional generator data.

11.1.6 PJM Evaluation of Data Request

Annually, PJM will send a list to the Generator Owners stating their data that is being sent to each Transmission Owner. The Generator Owner may challenge this data release by using the dispute resolution process.

The Transmission Owner must provide the decision point under which they believe their request qualifies, and if requested, provide supporting information to PJM and the Generator Owner. If requested by a Generator Owner, PJM will evaluate the technical merits of the request using the PJM EMS model.

11.1.7 Dispute Resolution

The process for appeal is to follow the PJM Dispute Resolution Process. Further information about this process may be found in Section 5 of the *PJM Manual for Administrative Services for the PJM Interconnection Agreement*.

Attachment A: New Generator Checklist

Operations	Status	
	Date	
	Needed	Complete
Dispatch	<input type="checkbox"/>	<input type="checkbox"/>
Control	<input type="checkbox"/>	<input type="checkbox"/>
Plant Operation	<input type="checkbox"/>	<input type="checkbox"/>
Emergency Procedures	<input type="checkbox"/>	<input type="checkbox"/>
PJM Communications	<input type="checkbox"/>	<input type="checkbox"/>
Restoration	<input type="checkbox"/>	<input type="checkbox"/>
Loading Reserves	<input type="checkbox"/>	<input type="checkbox"/>
Regulation	<input type="checkbox"/>	<input type="checkbox"/>

Data	Status	
	Date	
	Needed	Complete
Telemetry ¹	<input type="checkbox"/>	<input type="checkbox"/>
Unit Commitment ²	<input type="checkbox"/>	<input type="checkbox"/>
Outages	<input type="checkbox"/>	<input type="checkbox"/>
Meter Error Correction	<input type="checkbox"/>	<input type="checkbox"/>
Synchrophasor Communication System	<input type="checkbox"/>	<input type="checkbox"/>

Market	Status	
	Date	
	Needed	Complete
Energy Transactions	<input type="checkbox"/>	<input type="checkbox"/>
- Within PJM	<input type="checkbox"/>	<input type="checkbox"/>
- Outside of PJM	<input type="checkbox"/>	<input type="checkbox"/>
Capacity Transactions	<input type="checkbox"/>	<input type="checkbox"/>
FTRs	<input type="checkbox"/>	<input type="checkbox"/>
Synchronized Reserve	<input type="checkbox"/>	<input type="checkbox"/>
Regulation	<input type="checkbox"/>	<input type="checkbox"/>
Reactive*	<input type="checkbox"/>	<input type="checkbox"/>
Black Start	<input type="checkbox"/>	<input type="checkbox"/>

Exhibit 15: New Generation Checklist Page 1 of 3

¹ Real-time and integrated meter data

² Daily schedule and bids, cost curves, start and no-load costs, etc.

* Anticipated Future

Administrative	Status	
	Date	
	Needed	Complete
Membership Application ³	<input type="checkbox"/>	<input type="checkbox"/>
Interconnection Agreement	<input type="checkbox"/>	<input type="checkbox"/>
Firm Transmission Service ⁴	<input type="checkbox"/>	<input type="checkbox"/>
Non-Firm Transmission Service ⁵	<input type="checkbox"/>	<input type="checkbox"/>
Billing Contact Information Form	<input type="checkbox"/>	<input type="checkbox"/>
Committee Registration Forms	<input type="checkbox"/>	<input type="checkbox"/>
Capacity Transaction Authorization ⁶	<input type="checkbox"/>	<input type="checkbox"/>
eRPM Registration ⁷	<input type="checkbox"/>	<input type="checkbox"/>
inSchedule Registration	<input type="checkbox"/>	<input type="checkbox"/>
eMKT Registration	<input type="checkbox"/>	<input type="checkbox"/>
Power Meter Registration	<input type="checkbox"/>	<input type="checkbox"/>
eFTR Registration	<input type="checkbox"/>	<input type="checkbox"/>
OASIS Registration	<input type="checkbox"/>	<input type="checkbox"/>
eGADS Registration	<input type="checkbox"/>	<input type="checkbox"/>
eData Registration ⁸	<input type="checkbox"/>	<input type="checkbox"/>
eDART Registration ⁹	<input type="checkbox"/>	<input type="checkbox"/>

Training	Status	
	Date	
	Needed	Complete
PJM Overview	<input type="checkbox"/>	<input type="checkbox"/>
eRPM	<input type="checkbox"/>	<input type="checkbox"/>
inSchedules	<input type="checkbox"/>	<input type="checkbox"/>
eFTR, Power Meter, eMKT	<input type="checkbox"/>	<input type="checkbox"/>
OASIS	<input type="checkbox"/>	<input type="checkbox"/>
eGADS, eDART, CODA, Generator Outage Reporting	<input type="checkbox"/>	<input type="checkbox"/>
Unit Commitment	<input type="checkbox"/>	<input type="checkbox"/>
LMP	<input type="checkbox"/>	<input type="checkbox"/>
Operations	<input type="checkbox"/>	<input type="checkbox"/>
Dispatcher	<input type="checkbox"/>	<input type="checkbox"/>
Communications	<input type="checkbox"/>	<input type="checkbox"/>
Emergency Procedures	<input type="checkbox"/>	<input type="checkbox"/>
Market Settlements	<input type="checkbox"/>	<input type="checkbox"/>

Exhibit 16: New Generation Checklist Page 2 of 3

Systems/Communications	Short Term Date	
	Needed	Complete
Communications	<input type="checkbox"/>	<input type="checkbox"/>
Telemetry		
ICCP EMS Links	<input type="checkbox"/>	<input type="checkbox"/>
Metering Links	<input type="checkbox"/>	<input type="checkbox"/>
Synchrophasor Links	<input type="checkbox"/>	<input type="checkbox"/>
PJMnet		
Frame Relay	<input type="checkbox"/>	<input type="checkbox"/>
ISDN Backup	<input type="checkbox"/>	<input type="checkbox"/>
POTS line for router	<input type="checkbox"/>	<input type="checkbox"/>
Routers	<input type="checkbox"/>	<input type="checkbox"/>
IGN Network		
Frame	<input type="checkbox"/>	<input type="checkbox"/>
Routers	<input type="checkbox"/>	<input type="checkbox"/>
Other devices (TBD)	<input type="checkbox"/>	<input type="checkbox"/>
Voice		
Generator ALL CALL	<input type="checkbox"/>	<input type="checkbox"/>
POTS	<input type="checkbox"/>	<input type="checkbox"/>
Systems/Applications		
EMS		
System Changes	<input type="checkbox"/>	<input type="checkbox"/>
Modeling	<input type="checkbox"/>	<input type="checkbox"/>
PJM Testing	<input type="checkbox"/>	<input type="checkbox"/>
Integration Testing	<input type="checkbox"/>	<input type="checkbox"/>
Unit Commitment (eMKT)		
System Changes	<input type="checkbox"/>	<input type="checkbox"/>
Permission to view existing data	<input type="checkbox"/>	<input type="checkbox"/>
Testing	<input type="checkbox"/>	<input type="checkbox"/>
Regulation Logger		
System Changes	<input type="checkbox"/>	<input type="checkbox"/>
Testing	<input type="checkbox"/>	<input type="checkbox"/>



Systems/Communications	Short Term	
	Date	
	Needed	Complete
Two-Settlement (eMKT)		
System Changes	<input type="checkbox"/>	<input type="checkbox"/>
Testing	<input type="checkbox"/>	<input type="checkbox"/>

Exhibit 17: New Generation Checklist Page 3 of 3

Attachment B: New PJMnet Customer Implementation Voice/Data Communications Template



*New PJMnet Customer Implementation
Voice/Data Communications*

Objective

The completion of this document will provide PJM with the information necessary to configure and install the required voice and data communications necessary for you, our new customer, to communicate with PJM. PJM will assume total responsibility for the coordination efforts required to acquire and implement the appropriate telecommunications circuits.

Customer Information

PJM Member Name: _____

Customer Business Name: _____

Customer Business Address: _____

Customer Business Contact: _____

 Telephone Number: _____

 Fax Number: _____

 email Address: _____

Customer Technical Representative: _____

Customer Technical Representative email: _____

Customer Technical Representative Fax Number: _____

Total Number of MW at Site/for which site is responsible: _____

 Site Access Hours: _____

 Site Access Requirements: _____



Site Circuit Information

Desired hardware install by date: _____

Desired circuit fully operational date: _____

Area code and exchange telephone number where circuit is to be terminated:

Location Name: _____

Street: _____

City: _____ State: _____ Zip Code: _____

Site Point of Contact: _____

Site Point of Contact Telephone Number _____

Site Point of Contact email _____

Site Point of Contact Fax Number _____

Circuit Termination: _____

Floor/Room Number/Name: _____

Telephone Number (within 5 feet of router) _____

For the purposes of remote router support POTS lines need to be installed for each router.

Number Assigned: _____

Number Assigned: _____

Site Circuit Termination Design: **YES** **NO**

Diverse Telecommunications Entrance Facilities into Site

Telecommunication carrier demarcation location different from install location

Termination capacity currently exists

Demarcation Extension to be performed by: None Telco Site Staff



Circuit Configuration (provided by PJM)

- Physical Address DS1 Port Speed CIR
- PVC to PJM Primary Control Center PVC to PJM Emergency Backup Control Center

Circuit Notes:

PJM Supplied Hardware Information

- Very Large (A) Large (B) Medium (C) Small (D)
- Communication Protocol: ICCP DNP EMS SCADA

PJMnet Router Type:

- Gateway devices required (DNP implementations only) Yes No

Hardware Notes:

Note for electrical facilities that have a major impact on PJM operations: PJM requires the computer hardware and software at each control center should achieve a long-term 99.95% availability level for those critical functions directly affecting the successful operation of PJM. Redundant hardware configurations with either automatic or rapid manual failover schemes are generally necessary to achieve 99.95% availability. In addition, reliable AC power source(s) and communications are also necessary. Members should keep this requirement in mind when designing these systems.

Customer Site Environment Information

Site Power Configuration (diversity/redundancy):	YES	NO
Separate Equipment Breakers	<input type="checkbox"/>	<input type="checkbox"/>
Separate Electrical Panels for Equipment	<input type="checkbox"/>	<input type="checkbox"/>
Uninterruptible Power Supply	<input type="checkbox"/>	<input type="checkbox"/>
120v/60 Hz AC Power Available	<input type="checkbox"/>	<input type="checkbox"/>

If no AC power is available, please describe available power:



Voice Modules

PJMnet will provide a voice-over IP (VOIP) output from each router for future voice communication with PJM. PJM will be using a conventional dial plan for the PJMnet VOIP circuits (will match the corresponding public switched network phone number).

What type of facility will you have connected to the router? PBX Standard Phone
 Trader Turret System

If a PBX Connection, please specify port type: FXS FXO E&M

Note: An FXO connection to the router is preferred because any standard phone can be connected to the router in case of a PBX failure.

Hardware Notes:



Date Site Survey Completed: _____

Network Information

Network Address: _____ Subnet Mask: _____

IP Address for PJM Router: _____

Will this network be protected by a firewall? Yes No

Will the firewall be providing Network Address Translation (NAT)? Yes No

Will the firewall be in service during router installation? Yes No

Please provide a contact for the firewall administrator

Name: _____ Phone: _____

Can IP 10.134. be used by PJM? Yes No

If yes, supply a 10.34.xx address that will be used as a loop back address. -10.34.

Please list what devices (RTU, Meter< FEP, etc.), device type (DNP, ICCP) IP Address will be monitored:

Device Name/Type	Communications Protocol	IP Address
------------------	-------------------------	------------



Attachment C: New PJM Customer Voice/All Call Communications Request Form

Objective

This document will provide PJM with the information necessary to implement voice (two-way) and All Call (one-way) communications, which are essential for operation of the PJM grid.

Customer Information

PJM Member Name: _____
Customer Contact
Name: _____
Street: _____
City, State, Zip code: _____
Telephone: _____
Email Address: _____
Customer Type: (check the one that applies)
Generation Transmission Dispatch Center Demand Side Response
PJM Transmission Zone(s) of Operation _____

Site Information

Total Number of MW at Site for which site is responsible: _____
Desired date of operation: _____
Location where the phone call is received
Location name: _____
Street: _____
City, State, Zip code: _____

Two Way Voice Communication Information

Primary **dedicated** phone number for PJM Dispatch Operations to call:

Secondary **dedicated** phone number for PJM Dispatch Operations to call:

PJM All Call Information

(PJM requires a Primary phone number dedicated solely to PJM for operation and emergency communications. All Call may not terminate in voice mail, ACD or answering systems)
Primary number: _____
Secondary Number: _____ Cellular: YES NO
(May be shared lines or cellular numbers, indicate if cellular)
Tertiary Number: _____ Cellular: YES NO
(May be shared lines, indicate if cellular)

Approval

Please provide your PJM Contact's name: _____
Contact Will Lebus (610-666-4782) or Jay Stauffer (610-666-2272) for technical assistance or questions in completing this form.

Attachment D: PJM Generating Unit Reactive Capability Curve Specification and Reporting Procedures

The purpose of this attachment is to provide further explanation of the PJM Generating Unit Reactive Capability Curve Specification and Reporting Procedures that are discussed in this manual Section 7: *Generator Operations*.

Specifications

Listed below are the specifications for the Continuous Generating Unit Reactive Capability Curve (required by PJM).

1. The following data for each point on the curve must be specified:
 - A. In general, the “Unit Net MW Output” provided to the system, as measured at the low-side of the unit step-up transformer, excluding any station service load fed of the unit terminal bus, consistent with the PJM EMS model.
 - B. The leading or lagging “Unit Minimum Net MVAR Limit” at the specified “Unit Net MW Output”, consistent with the PJM EMS model.
 - C. The leading or lagging “Unit Maximum Net MVAR Limit” at the specified “Unit Net MW Output”, consistent with the PJM EMS model.
2. The “Unit Minimum and Maximum Net MVAR Limits” must indicate the realistic, usable capability that is sustainable during continuous long-term unit operation. This sustainable continuous capability is based on actual operating experience (or testing) and takes into consideration any normal unit or plant restrictions at 95 degrees Fahrenheit ambient or above. Therefore, the reactive capability derived results in the proven sustainable reactive capability, rather than merely reflecting the design limits of the unit.
3. A sufficient number of curve points must be provided to accurately model the full operating range and capability of the unit as described above.

Data Requirements

1. A minimum of two curve points must be provided.
2. A maximum of eight curve points may be provided.
3. The “Unit Maximum Net MVAR Limit” must be greater than (or equal to) the “Unit Minimum Net MVAR Limit” for each curve point.
4. The “Unit Minimum Net MVAR Limit” may be equal for any number of adjacent curve points.
5. The “Unit Maximum Net MVAR Limit” may be equal for any number of adjacent curve points.
6. The “Unit Net MW Output” must be increasing from the first to the last point.
7. Company can either test or apply the best engineering judgment to construct D-curve at min load points.

Data Format

Data should be provided to PJM in the format shown in the exhibit below via eDART.

(Note that if a unit’s current default curve in eDART has less than eight points, a revised curve with more points can be entered in the eDART “Description” field):

	MW	Minimum MVAR	Maximum MVAR
Point 1			
Point 2			
Point 3			
Point 4			
Point 5			
Point 6			
Point 7			
Point 8			

Exhibit 18: PJM Unit Reactive Capability Curve Data Format

PJM Unit Reactive Capability Curve Reporting Process for Permanent Changes

1. Each Generation Owner/Operator must continually provide accurate permanent capability curve changes to PJM via eDART as soon as the information is available. The “New Default” field should be checked in eDART.
2. Once the accuracy of the submitted reactive capability curve is verified, PJM will permanently update the PJM Unit Reactive Capability Curves in use by PJM Operating/Planning Studies and PJM EMS Network Applications programs.

Real-Time PJM Unit Reactive Capability Reporting Process for Temporary Changes

1. Whenever a PJM unit’s reactive capability is limited or reduced (or is planned to be limited or reduced) for any reason, the generator’s owner/operator must immediately enter a temporary ticket via eDART. For real-time changes, the generator’s owner/operator must also notify the PJM Power Dispatcher (PD) and respective LCC by phone.
2. Excluding the time period when a generator is in the startup or shutdown mode, whenever a PJM unit’s Automatic Voltage Regulation (AVR) status is off (or is planned to be off), the generator’s owner/operator must immediately enter a ticket via eDART. For real-time changes, the generator’s owner/operator must also notify the PJM Power Dispatcher (PD) and the respective LCC by phone.
3. The PJM PD will receive the ticket and either temporarily update the unit’s reactive capability curve in use by the PJM EMS Network Applications, or will temporarily set the unit’s AVR status in use by the PJM EMS Network Applications to “OFF” for the specified time period.

4. The generator's owner/operator must immediately modify the eDART ticket and notify the PJM PD and respective LCC by phone whenever the unit's normal reactive capability or AVR is restored (or is anticipated to be restored).
5. The PJM PD will either restore the unit's normal reactive capability curve in use by the PJM EMS Network Applications, or will set the unit's AVR status in use by the PJM EMS Network Applications to "ON". The PJM PD will then close the unit reactive ticket.

PJM Reactive Reserve Check (RRC)

1. Upon the request of PJM, all Transmission Owner LCC's will provide a Reactive Reserve Check (RRC) report to PJM. PJM dispatch generally requests a RRC during capacity deficient conditions or when a Heavy Load Voltage Schedule Warning is implemented, and periodically on Sundays for testing purposes.
2. This report, filled out in eDart RRC form, will include the following information within the Transmission Owner's zone:
 - A. Unit MVAR Reserve (The sum of the differences between the present operating points, leading or lagging, and the lagging MVAR capability of all synchronized units.)
 - B. Lagging MVAR Reserve (The sum of the lagging MVAR capability of all online condensers and Static VAR Compensators (SVCs).)
 - C. Transmission Capacitor/Reactor MVAR Reserve (The sum of the nameplate MVAR values of capacitors that are capable of being energized or reactors that can be removed from service.)

Note: The first two items require open dialogue between the Transmission Owner and the Generation Owners within the Transmission Owner's footprint.

3. PJM will make the report available to LCC's.



PJM Reactive Reserve Check (RRC)			
Transmission Owner	Unit MVAR Reserve	Lagging MVAR Reserve	Transmission Capacitor/ Reactor Reserve
PJM TOTAL			

Exhibit 19: PJM Reactive Reserve Check (RRC)

PJM Actions:

1. PJM dispatcher requests LCCs to provide Reactive Reserve Check Data for the entire PJM CA or on a Control Zone basis, as necessary. An eDart RRC report ID will be via all-call.
2. PJM dispatcher takes a snapshot of reactive reserves from the PJM EMS system for comparison purposes.
3. PJM dispatcher works with LCC to resolve/rationalize reported differences in reactive reserves. PJM and TO maintain reserve data on a per Unit basis within dispatch control room in order to resolve data discrepancies.
4. PJM dispatcher / LCC / MOC modify reactive curves as appropriate to ensure accurate Security Analysis results.

PJM Member Actions:

1. Transmission / Generation dispatchers review reactive capability curves.
2. Generation Dispatchers update eDART Reactive Capability Curve to reflect changes and indicate if temporary or new default.
3. Transmission Dispatcher review eDART for any changes to reactive capability curves and update LCC EMS.
4. Transmission Dispatchers poll MOC's or specific plant regarding changes to reactive capability curves.
5. Transmission Dispatcher maintains reserve data on a per unit basis, within the control room, in order to resolve data discrepancy issues between MOC, plant, and/or PJM.
6. PJM MOCs remain on heightened awareness and notify TO/PJM regarding unit performance issues and update eDART as appropriate.
7. Transmission Dispatchers enter data in eDart via the RRC Form.

Attachment E: PJM Generator Reactive Capability Testing

Objective

The objective of reactive capability testing for generators is to improve the transmission system reliability by accurately determining generator reactive capability on a regular basis. Also, this testing could identify any conditions which are limiting the reactive capability of generating units in PJM. PJM encourages testing to be coordinated between PJM, the Generator Owner, and the local Transmission Owner to ensure that the impact on system operations is minimized. Testing is intended to demonstrate reactive capability for those conditions where reactive reserves would be required.

PJM will evaluate the Generator Reactive Capability Testing requirements contained within this document and may expand testing to various MW output levels if experience indicates it is beneficial to do so.

General Requirements

1. Individual units with a nominal capacity greater than 70 MW, wind generating stations connected at a common bus with an aggregate rating greater than 70 MW, and all black start units are required to perform a reactive capability test.
2. All other individual units with nominal capacity less than 70 MW and non-black start units will verify the reactive capability reported in the PJM e-DART system on a periodic basis consistent with PJM Manual 14D.
3. Generation Owners are required to test approximately 20% of the number of their eligible assets annually, totaling 100% of their eligible assets over a 5-year period. More frequent testing may be done if the Generator Owner so chooses.
4. The PJM generator reactive capability testing period will begin on May 1 and continue through September 30. This testing cycle will repeat on an annual basis, ensuring that all designated units are tested at least once in a five year cycle.
5. Generator reactive capability testing will take place Monday thru Friday, between 0900 and 1100 hours, Eastern Time.
6. The Generator Owner will determine the best time to conduct these tests. This test may be conducted in conjunction with other testing (including the Net Demonstrated Capability testing), provided all other requirements of this test are met. All equipment will be tested with all auxiliary equipment needed for normal operation in service.
7. As an alternative, data collected during routine operation of the unit is acceptable, provided all test requirements are met.
8. The tests required are functional and do not require special instrumentation. They are designed to demonstrate that the ratings can be obtained for the time periods required under normal operating conditions for the equipment being tested.
9. Projected system conditions must permit the unit to operate at full capacity (or at least 50% of nameplate capacity for wind generating stations) without adversely impacting system operations.

10. PJM will consider other test periods on a case by case basis, so long as proposed testing periods do not adversely impact system operations.

Testing Requirements for Non-Wind Units Greater than 70 MW and Black Start Units

1. The over-excited (lagging) and under-excited (leading) reactive capability outputs (MVAR) is required to be tested at or above demonstrated capability (i.e. a single MW point test).
2. A steady active and reactive power output shall be maintained during the test.
3. Exception Criteria: Lagging/Leading tests are required depending on unit type. All exceptions must be documented and reviewed by PJM and Transmission Owners. Test requirements are as follows:

Unit Type	Required Testing	Exception Criteria
Nuclear	Lagging Test Minimum MVAR Test	Documented Exception to Lagging based on impact to System Reliability
Black Start and units with hot start time of 8 hours or less	Lagging Test Leading Test	Not Applicable
All Other	Lagging Test 0 MVAR Test	Documented Exception to Lagging test based on impact to System Reliability
Note 1: Nuclear Units shall perform a Minimum MVAR Test as noted above, attempting to achieve minimum stated D Curve limit.		

4. The reactive capability curve and minimum excitation limiter settings for each unit will be used to determine the expected reactive capability. If a unit has been tested previously, the expected reactive capability for a new test should reflect at a minimum the reactive capability that was previously demonstrated.
5. Units are to be tested while maintaining the voltage within normal operating limits on the system bus (pre- and post-contingency voltage limits). This requirement may require a departure from scheduled voltage during the test, provided no adverse effect on the validity of test results can be demonstrated. The Generator Owner will need to coordinate between its designated LCC, PJM, and other units in order to allow the unit being tested to demonstrate its maximum reactive capability while maintaining system voltages within acceptable limits.
6. All reasonable measures shall be taken to ensure the results from the reactive capability test are based upon actual operating conditions. If it is not possible to

maintain the system voltage within operating limits, for non-black start unit leading capability tests, then it is acceptable to calculate the non-black start unit leading reactive capability quantities. Calculated test results will not be acceptable on an on-going basis. Black start units and units with hot start time of 8 hours or less are required to test both leading and lagging reactive capability.

7. For hydrogen-cooled generators, the hydrogen pressure should be raised to the normal operation pressure. If the hydrogen pressure cannot be raised, then the reason for this condition should be documented and the appropriate reactive capability curve should be used.
8. The over-excited reactive capability test should be conducted for a minimum of one hour. Data for the under-excited reactive capability test may be recorded as soon as a limit is encountered.
9. When the maximum sustained over-excited and under-excited reactive output during the test is achieved, the MW and MVAR outputs at the generator terminals (low side gross), auxiliaries, the generator step-up transformer (GSU) primary (low side net, after auxiliaries), and the GSU secondary (high side net) should be recorded.

If metering is unavailable, it may be necessary to calculate some of these quantities. A note should be provided in the "Remarks" section of "Lagging and Leading/Zero Form R" for points which are calculated.

PJM will evaluate the reported values as compared to the average values consistent with requirements. The average values will serve as the basis for modifying the default reactive curves within eDart.

10. During the test, the scheduled and actual voltages at the system bus and the generator terminals should also be recorded. In addition, the nameplate GSU impedance, MVA rating, primary and secondary voltage ratings and available tap settings, and the existing GSU tap setting should be provided.
11. The reasons for any limit to unit reactive capability during the test should also be specified (for example, reactive capability curve limit, minimum excitation limiter settings, field current limitation, generator voltage, auxiliary bus voltage, system voltage limits, generator vibration, generator temperatures, hydrogen pressure restriction, shorted rotor turns, etc.) in the remarks section.

For Wind Generating Stations with an Aggregate Nameplate Rating Greater than 70 MW

1. Only wind units of Type 3 (doubly-fed asynchronous) and Type 4 (full converter interface) will be tested for reactive capability, exclusive of static reactive power compensation devices.
2. The over-excited (lagging) and under-excited (leading) reactive capability outputs (MVAR) is required to be tested at 50% or greater of aggregate wind generating station nameplate rating (i.e. a single MW point test).
3. The active and reactive power output shall be maintained as steady as possible during the test.
4. The reactive capability curve and minimum excitation limiter settings for each wind generating station will be used to determine the expected reactive capability. If a wind generating station has been tested previously, the expected reactive capability for a

new test should reflect at a minimum the previous reactive capability that was demonstrated.

5. Wind generating stations are to be tested while maintaining the voltage within normal operating limits on the system bus (pre- and post-contingency voltage limits). This requirement may require a departure from scheduled voltage during the test, provided no adverse effect on the validity of test results can be demonstrated. The Generator Owner will need to coordinate between its designated LCC, PJM, and other units in order to allow the unit being tested to demonstrate its maximum reactive capability while maintaining system voltages within acceptable limits.
6. All reasonable measures shall be taken to ensure the results from the reactive capability test are based upon actual operating conditions. If it is not possible to maintain the system voltage within operating limits, for wind generating stations leading capability tests, then it is acceptable to calculate the wind generating station leading reactive capability quantities. Calculated test results will not be acceptable on an on-going basis.
7. When the maximum sustained over-excited and under-excited reactive output during the test is achieved, the MW and MVA_r outputs at the aggregated collector bus low side terminals (low side gross), auxiliaries, the generator step-up transformer (GSU) primary (low side net, after auxiliaries), and the GSU secondary (high side net) should be recorded.

If metering is unavailable, it may be necessary to calculate some of these quantities. A note should be provided in the "Remarks" section of "Lagging and Leading/Zero Form R" for points which are calculated.

For wind generating stations on Lagging Form R, record only the instantaneous value in the "Start of Test" row and Stated Capability (previous tested value if applicable). The 15 min, 30 min, 45 min, and End of Test rows are not applicable.

PJM will evaluate the reported values as compared to the average values consistent with requirements. The average values will serve as the basis for modifying the default reactive curves within eDart.

8. During the test, the scheduled and actual voltages at the system bus and the aggregated collector bus low side terminals should also be recorded. In addition, the nameplate GSU impedance, MVA rating, primary and secondary voltage ratings and available tap settings, and the existing GSU tap setting should be provided.
9. The reasons for any limit to wind generating station reactive capability during the test should also be specified (for example, reactive capability curve limit, minimum excitation limiter settings, field current limitation, generator voltage, auxiliary bus voltage, system voltage limits, generator vibration, generator temperatures, shorted rotor turns, etc.) in the remarks section.

Notification and Reporting Requirements

If non-cost operations (the adjustment of generator MVAR output or the movement of PAR or LTC transformer taps) or off-cost operations are required to accommodate the test, PJM will communicate these requests directly to the appropriate LCCs and MOCs.

MOC Actions:

Proposed testing dates/times should be communicated via eDart to the PJM Dispatch, PJM Reliability Engineer and LCC no later than noon 3 business days prior to the test, ensuring testing impacts are incorporated into day-ahead studies. PJM and LCCs will consider shorter notification times and try to accommodate reactive testing while ensuring that operating limits are not violated.

The test notification will be submitted using a “MVAR Test” Ticket in which the test duration should be provided, as well as any additional relevant information for the test within the description field.

Prior to the test scheduling, the MOC (Generation Owner) shall confirm with PJM Reliability Engineer that MW and MVAR data is being provided to PJM via ICCP. If issues are identified, they are required to be resolved before proceeding with the test scheduling of the unit

- Any scheduled or unscheduled maintenance work on the unit scheduled for testing must be complete and all eDART tickets cleared prior to contacting PJM for the purpose of initiating the study process.
- The MOC will contact PJM Reliability Engineer at least three hours prior to the start of the scheduled testing in order to initiate the real-time study process.

Real-time testing should be coordinated with LCC and PJM Transmission dispatchers. At least 30 minutes notice should be provided to allow PJM and LCC operators to adjust the system to ensure testing does not result in voltage limit violations.

- The LCC will coordinate any required transmission mitigation steps to resolve internal plant limitations as reported by the plant or the MOC with PJM Reliability Engineer.
- If testing must be canceled or rescheduled, the MOC will inform PJM Reliability Engineer as soon as possible.
- The MOC will coordinate the implementation of their portion of the exit strategy with PJM, if required.

Generator Owner shall submit complete PJM Leading and/or Lagging Test Form R to reactivetesting@pjm.com within 30 calendar days after completion of the testing.

- The MOC will coordinate all actions with PJM dispatch.

LCC Actions:

- The appropriate LCCs will conduct studies in accordance with established company procedure in order to determine the effect of scheduled testing on their systems.
- LCC should contact PJM Reliability Engineer with any possible concerns regarding the scheduled testing.
- LCC support staff will ensure that the LCC operators are aware of scheduled reactive capability tests and communicate the pre-studied mitigating action plan.

- Prior to studying the test, the LCC will verify, with the PJM Reliability Engineer and the generating station, the expected MW and MVAR output levels of the unit during testing, and ensure that the AVR is in service.
- The LCC will contact the PJM Reliability Engineer no later than two hours and 15 minutes prior to the scheduled test start time in order to discuss the results of their studies and the mitigating steps required, if any.
- The LCC will discuss, coordinate, and implement any actions necessary as required by mitigation strategies with PJM prior to the start of testing.
- The LCC will communicate MVAR output step changes to the testing unit in coordination with PJM. In general, MVAR step changes should be no greater than 100 MVAR increments.
- If testing must be canceled or rescheduled, the LCC will inform PJM Reliability Engineer as soon as possible.
- The LCC will coordinate the implementation of their portion of the exit strategy with PJM, if required.
- The LCC will coordinate all actions through PJM Reliability Engineer.

PJM Actions:

- All testing requests will be reviewed by PJM Reliability Engineers and Power Directors to ensure that there is no conflict between the testing and any planned transmission outage. PJM will give the MOC a suggestion for a more appropriate date and time to conduct the test, if necessary.
- PJM Reliability Engineer shall verify the accuracy of the telemetry data with the generation owners prior to commencing the test. If issues are identified, they are required to be resolved before proceeding with the test scheduling of the unit
- PJM Reliability Engineer and Power Director will review and approve the test in accordance with the established PJM procedure.
- PJM Reliability Engineer will ensure that PJM dispatch is aware of scheduled reactive capability tests and communicate the pre-studied mitigating action plan via the PJM Transmission Log.
- Once the PJM Reliability Engineer is contacted by the MOC, they will contact the LCCs of all regions concerned in order to initiate the transmission operator's study process. They will verify the expected unit output levels with the LCC and ensure that the AVR is in service.
- PJM Reliability Engineer will re-evaluate the pre-studied mitigating action plan prior to test commencement and communicate any necessary adjustments to the impacted parties.
- PJM Reliability Engineer and/or Dispatch will discuss possible mitigation strategies with the appropriate LCCs.
- PJM Reliability Engineer will contact the MOC no later than two hours prior to scheduled testing to inform them whether mitigation steps will be required.
- PJM Reliability Engineer will coordinate with the appropriate MOCs and LCCs in order to implement the selected mitigation strategy.

- PJM Reliability Engineer will coordinate with the LCC in making MVAR output step changes with the testing unit.
- If the testing must be cancelled or rescheduled, PJM Reliability Engineer will contact the MOC and LCCs as soon as possible.
- PJM Reliability Engineer will coordinate the implementation of the exit strategy with the MOC and LCCs, if required.
- PJM Reliability Engineer will coordinate all actions and communications between the MOC and LCCs.

Test Cancellation

PJM dispatch and/or the impacted parties may cancel the generator reactive capability testing for the following reasons:

- Internal planning issues.
- Emergency procedures.
- Inability to control actual or post-contingency voltage issues created by scheduled testing.
- Any operating issues created on LCC equipment not monitored by PJM.

Cancellation of the generator reactive capability test will be communicated to all impacted parties.

PJM will document all cancellations and terminations including the party responsible and the reason for the cancellation or termination.

Voltage Schedules

Adjustments may need to be made to local voltage schedules in order to accommodate the scheduled testing. These adjustments will be considered and studied on a case by case basis.

Note: Deviate from voltage schedule to demonstrate reactive capability while monitoring impacts to limits using SA packages.

PJM will discuss the changes with the appropriate LCC and if the recommendation does not cause a violation of a defined limitation, the LCC should implement the PJM request.

PJM will retain its control of the reactive facilities, such as transmission capacitors, LTCs, and generator MVAR output.

If internal plant or LCC limits restrict the request, PJM dispatch will study the limitations and recommend changes to plant facilities if appropriate.

If the recommended changes cannot be implemented due to equipment or facility limitations, other options will be considered, including test cancellation or rescheduling.

Exit Strategy

Risk

PJM will not allow scheduled generator reactive capability testing to place the system in an unacceptable state. However, there is always the possibility of equipment failure resulting in unplanned situational constraints that would require immediate remedial action.

Requirements

The following are steps that will be considered and agreed upon prior to allowing the scheduled generator reactive capability testing;

Each scheduled test will be studied and approved on a case by case basis.

All required mitigation steps will be agreed to and coordinated with all concerned parties, to include PJM Reliability Engineer, the responsible MOC, and the appropriate LCCs, prior to the scheduled testing.

Parameters

PJM will NOT allow operation over any applicable post-contingency STE or LTE ratings.

PJM will NOT allow operation over any applicable pre-contingency normal rating.

In the event of a facility rating discrepancy between PJM and the LCC that cannot be resolved, PJM will default to the most conservative limit.

In the event that the testing results in an unexpected thermal or voltage violation, standard mitigation steps will be taken to return the facilities in violation back to normal limits within fifteen minutes.

The mitigation steps taken will not cause limit violations on any other company's equipment or facilities.

Post-Test Evaluation

PJM will provide feedback on a periodic basis to generation owners on the status of their reactive capability test results. PJM will also provide the results of generation reactive capability tests to the appropriate LCC operator.

PJM will analyze the reactive capability test results in the same calendar year in which the reactive capability test was performed for the unit.

PJM Staff will conduct periodic audits of generator reactive capability test results and will provide summary report information to the PJM System Operations Subcommittee and the PJM Operations Committee on a periodic basis.

Test Evaluation

PJM will evaluate each unit's reactive capability test results against its stated reactive capability limits modeled within the PJM EMS. This evaluation will determine which units performed over, under, or within 5% of their stated limits, as well as what follow-up steps are necessary to ensure that the correct information is modeled within the PJM EMS.

Units Testing Within 5% of Stated Limits

Units or wind generating stations with test results within 5% of their stated limits will be considered as having fully demonstrated their stated reactive capability.

PJM will notify the MOC that their units achieved their reactive capability, and no further action will be required.

Units Testing Over 5% of Stated Limits

Units or wind generating stations with test results over 5% of their stated limits will be considered as having fully demonstrated their stated reactive capability.

PJM will notify the MOC that their units exceeded their stated reactive capability and will propose that they increase the reactive capability modeled within the PJM EMS by entering New-Default eDART MVAR ticket.

Units Testing Below 5% of Stated Limits

Units or wind generating stations with test results under 5% of their stated limits will not be considered as having demonstrated their stated reactive capability.

PJM will determine which units have not demonstrated their stated reactive capability due to either internal or external operational limitations based on reasons documented within the submitted test results.

For units that claimed external operational limitations,

- A. PJM will perform further analysis to confirm external limitations and possible remedial measures in the event of future attempts by the MOC to demonstrate the unit's reactive capability.
- B. If an external limitation is confirmed, PJM will provide confirmation to the MOC that their units performed below their stated reactive capability due to external limitations and will not require any further action.
- C. If no external limitation is confirmed, PJM will require that the MOC either permanently reduces the reactive capability modeled within the PJM EMS by entering a "New Default" eDART MVAR ticket or retest to demonstrates the stated capability of the unit.
- D. If the MOC chooses to retest the unit, PJM will require that a temporary eDART MVAR ticket be submitted that will remain active until the unit demonstrates the original stated capability.

For units that claimed internal operational limitations,

- A. PJM will notify the MOC that their units performed below their stated reactive capability
- B. If the internal operational limitation was caused by an external condition such as high or low transmission system voltage, and this external condition that caused the internal operational limitation was communicated by the plant or the MOC to the LCC, and the external condition could not be mitigated by the LCC and PJM by adjusting the transmission system or other applicable actions, and PJM confirms that the internal operational limitation was caused by an external

condition, then PJM will provide confirmation to the MOC that their units performed below their stated reactive capability due to external limitations and will not require any further action.

- C. If the internal operational limitation was caused by an external condition but was not communicated by the plant or MOC to the LCC, then PJM will require that the MOC either permanently reduce the reactive capability modeled within the PJM EMS by entering a “New Default” eDART MVAR ticket or retest to demonstrate the stated capability of the unit.
- D. If the MOC chooses to retest the unit, PJM will require that a temporary eDART MVAR ticket be submitted that will remain active until the unit demonstrates the original stated capability.

Glossary

Scheduled Voltage—The voltage level normally maintained at the system bus during peak load conditions.

Gross Reactive Capability—The maximum sustained overexcited and under-excited reactive output, which generating equipment is expected to produce under normal operating conditions.

Net Reactive Capability at the GSU Primary—The maximum sustained overexcited and under-excited reactive output exclusive of auxiliary usage expected to produce under normal operating conditions.

Net Reactive Capability to the System—The maximum sustained overexcited and under-excited reactive output exclusive of auxiliary usage and GSU reactive power losses expected to produce under normal operating conditions.

GSU (Generator Step-Up Transformer)—An Inductive stationary device that transfers electrical energy from generator voltage to a higher transmission voltage.

Wind Generating Stations – an aggregate of multiple wind turbines connected at a common bus (a.k.a. collector bus) with the outlet through a common GSU.



Lagging Form R

Net Demonstrated Lagging Reactive Capability Test Data

eDart Ticket # _____

Company _____

Plant _____

Date of Test _____

Ambient Temperature, F _____

Normal Hydrogen Pressure, PSIG _____

Blackstart: Yes No

Reported By _____

Unit _____

Time of Test: Begin / End _____ / _____

Ambient Relative Humidity _____

Actual Hydrogen Pressure, PSIG _____

Near-Term Steam: Yes No N/A

Time of Measurement	Instantaneous Gross Gen.		Instantaneous Aux. Power		Net Gen.@ GSU Low-Side		Net Gen.@ GSU High-Side	
	MW <input type="checkbox"/>	MVAr <input type="checkbox"/>	MW <input type="checkbox"/>	MVAr <input type="checkbox"/>	MW <input type="checkbox"/>	MVAr <input type="checkbox"/>	MW <input type="checkbox"/>	MVAr <input type="checkbox"/>
Start of Test								
15 min								
30 min								
45 min								
End of Test								
Average of Test**								
Stated Capability								

* Please check boxes for telemetered data

** Average of all test data

	Phase 1	Phase 2	Phase 3
Generator Bus Voltages	_____ kV	_____ kV	_____ kV
Auxiliary Bus Voltages	_____ kV	_____ kV	_____ kV
System Bus Voltages	_____ kV	_____ kV	_____ kV
Generator Voltage Schedule	_____ kV	Generator Voltage PT Ratio _____	
System Voltage Schedule	_____ kV	System Voltage PT Ratio _____	

GSU Nameplate Data

Tap Setting: _____ kV Impedance: _____ % Capability: _____ MVA

Remarks: (Plant Limitations)

Remarks: (System Limitations)

Remarks: (Other Limitations)



Leading / Zero Form R

Net Demonstrated Leading / Zero Reactive Capability Test Data

(leading / zero form may not be necessary, depending on unit type)

eDart Ticket # _____	Leading: <input type="checkbox"/>	Zero: <input type="checkbox"/>
Company _____	Reported By _____	
Plant _____	Unit _____	
Date of Test _____	Time of Test: Begin / End _____ / _____	
Ambient Temperature, F _____	Ambient Relative Humidity _____	
Normal Hydrogen Pressure, PSIG _____	Actual Hydrogen Pressure, PSIG _____	
Blackstart: <input type="checkbox"/> Yes <input type="checkbox"/> No	Near-Term Steam: <input type="checkbox"/> Yes <input type="checkbox"/> No <input type="checkbox"/> N/A	

Readings are to be recorded as soon as leading / zero limit is encountered

Time of Measurement	Instantaneous Gross Gen.		Instantaneous Aux. Power		Net Gen.@ GSU Low-Side		Net Gen.@ GSU High-Side	
	MW <input type="checkbox"/>	MVA <input type="checkbox"/>	MW <input type="checkbox"/>	MVA <input type="checkbox"/>	MW <input type="checkbox"/>	MVA <input type="checkbox"/>	MW <input type="checkbox"/>	MVA <input type="checkbox"/>
Instantaneous								
Average of Test**								
Stated Capability								

* Please check boxes for telemetered data

** Average of all test data

	Phase 1		Phase 2		Phase 3
Generator Bus Voltages	_____ kV		_____ kV		_____ kV
Auxiliary Bus Voltages	_____ kV		_____ kV		_____ kV
System Bus Voltages	_____ kV		_____ kV		_____ kV
Generator Voltage Schedule	_____ kV		Generator Voltage PT Ratio	_____	
System Voltage Schedule	_____ kV		System Voltage PT Ratio	_____	

GSU Nameplate Data

Tap Setting: _____ kV Impedance: _____ % Capability: _____ MVA

Remarks: (Plant Limitations)

Remarks: (System Limitations)

Remarks: (Other Limitations)

Attachment F: Generator Reactive Capability Test Study Process

Objective

The objective purpose of this attachment is to demonstrate the process which the PJM Reliability Engineers will use to study the feasibility of generator reactive capability test.

Study Process – Example

All generator reactive capability testing will be studied by PJM prior to the scheduled testing date, in accordance with the established PJM procedures.

Each test will also be studied in real-time, prior to the start of the test, in order to verify that there will be no adverse effect on system operations. If it is determined that the testing will cause an actual or post-contingency violation that cannot be mitigated, the testing will be rescheduled.

Purpose:

- The purpose of this example is to demonstrate the process which the PJM Reliability Engineers will use in studying the effects of scheduled generator reactive capability testing, using a large nuclear unit on the PJM 500kv system. This process will be used for day(s)-ahead and real-time studies. This particular example was done using a real-time SE snapshot.
- The purpose of the study is to identify any potential problems caused by the unit's reactive capability testing, and to determine the steps required in mitigating those problems. Any unit reactive capability testing that poses a threat to system reliability or results in off-cost operations will be canceled.

Scenario:

- The case used in this study was a State Estimator case from April 18, 2005, shortly after 0800 hrs. The PJM RTO system load at that time was approximately 66107 MW. There were no post-contingency thermal problems at the time, and the only voltage issues were some post-contingency low voltages in the COMED system and a few marginally high voltage actuals scattered across the system.
- The next exhibit is a screenshot from the PJM EMS showing system voltage actuals prior to testing.

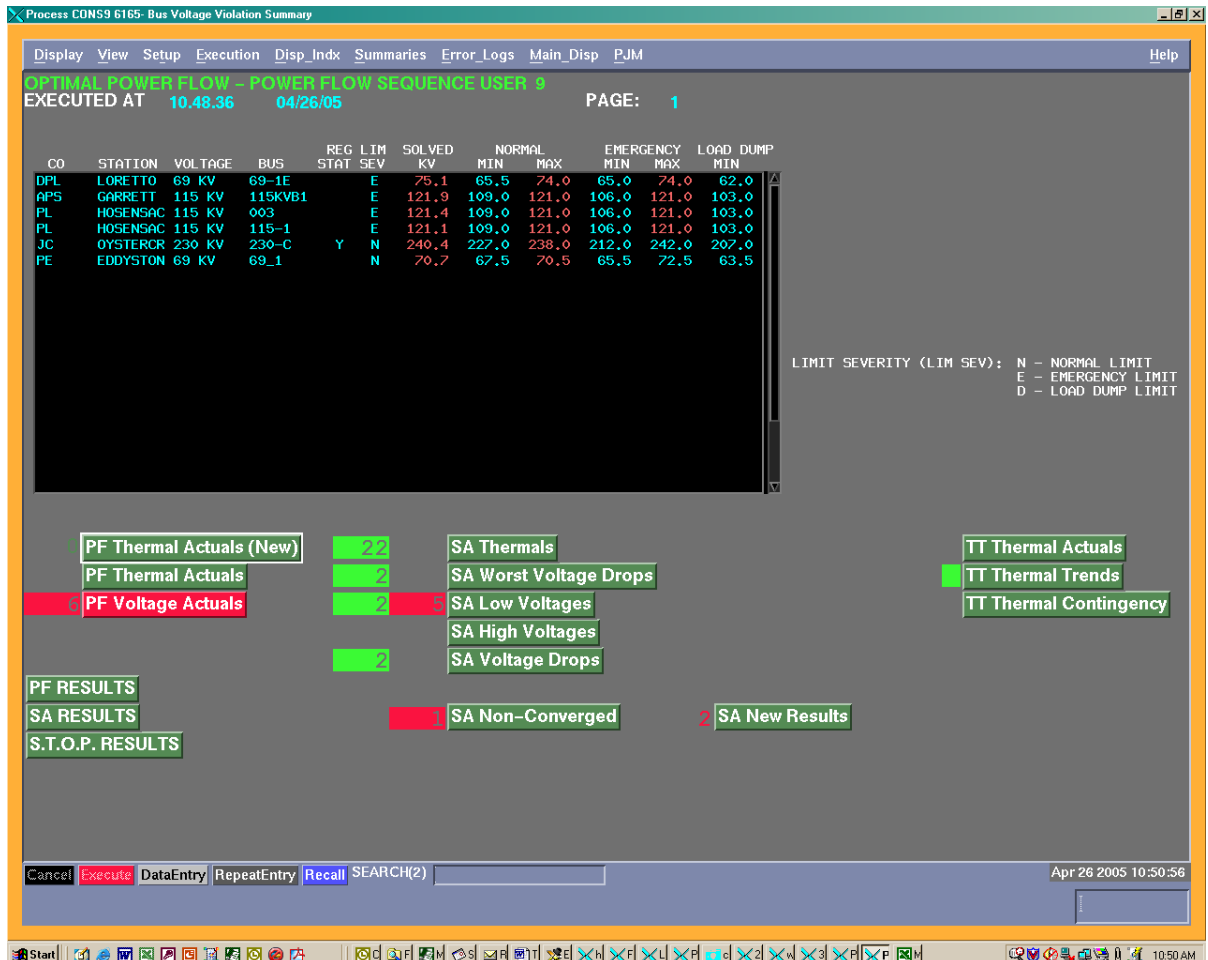


Exhibit 20: Voltage Actuals Prior to Test

- The PJM Reliability Engineers will initiate his study by taking a 'snapshot' of the real-time system. This 'snapshot' will need to be adjusted to reflect anticipated changes to system conditions prior to the scheduled test time.
- In order to correctly model the unit for testing, the PJM Reliability Engineer will need to go to the 'Gen. KV/MVAR Parameter Changes' display and adjust the 'DES. MVAR', 'MVAR MIN' and 'MVAR MAX' to match the maximum rated MVAR output of the unit at the appropriate MW level. This number should match the number verified with the LCC.
- In order to properly recognize mitigation strategies once the MVAR output level has been adjusted, the PJM Reliability Engineer will need to limit the response of the reactive resources in the appropriate transmission zones. This will cause the study case to assume the following:
 - LTC transformers are locked.
 - Phase angle regulators hold a fixed angle.
 - Switched capacitors are locked.

- Generators will not control local voltage.
- Load is modeled at constant MW and MVAR.
- This process is the same as when doing an open-ended voltage study. An example display is shown in the exhibit below.

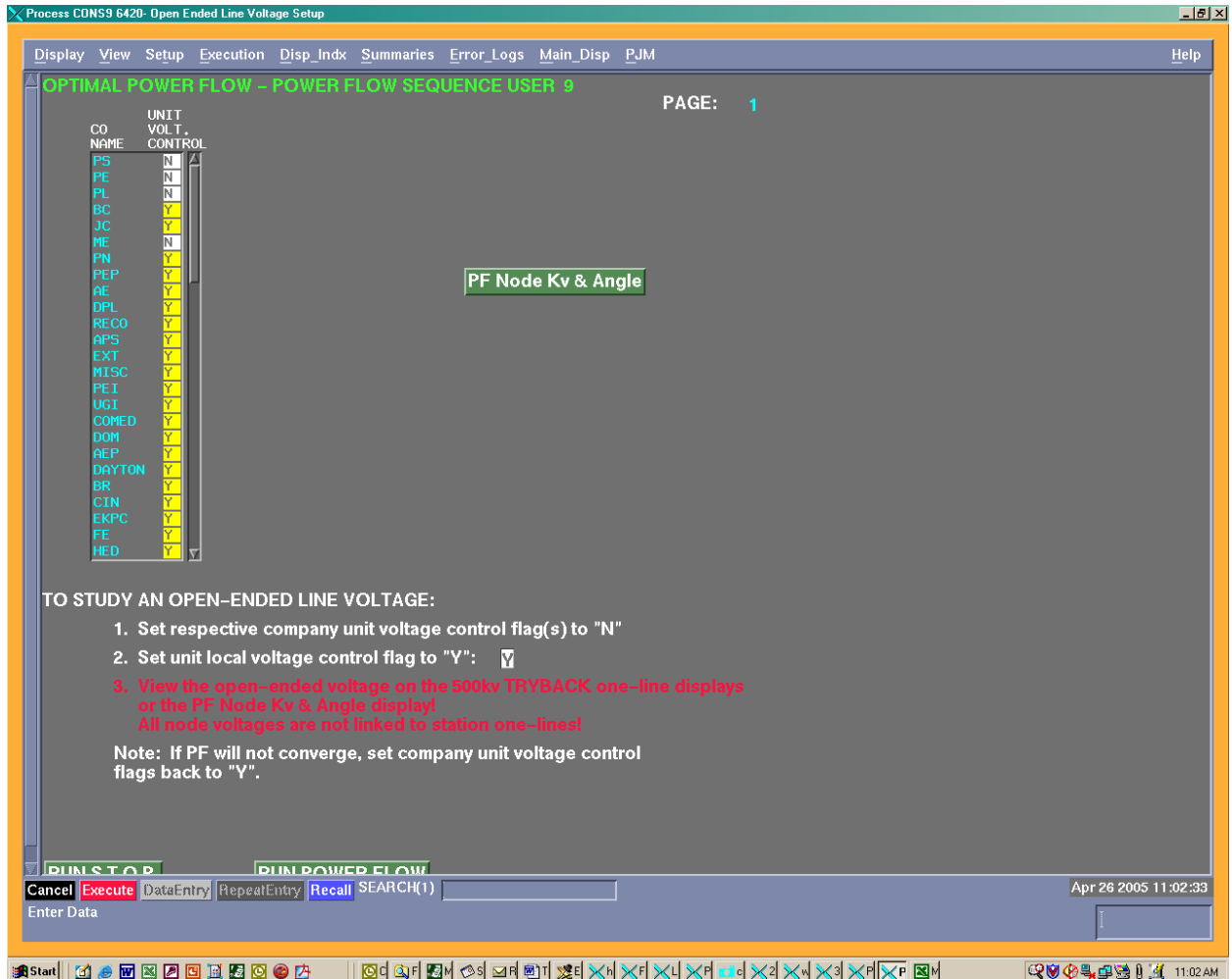


Exhibit 21: Open-Ended Line Voltage Setup Display

- Run power-flow and advanced applications. Once the advanced applications have run, the PJM Reliability Engineer will analyze the results. Example results of voltage actuals, prior to implementing mitigating actions, are shown in the next screenshot.

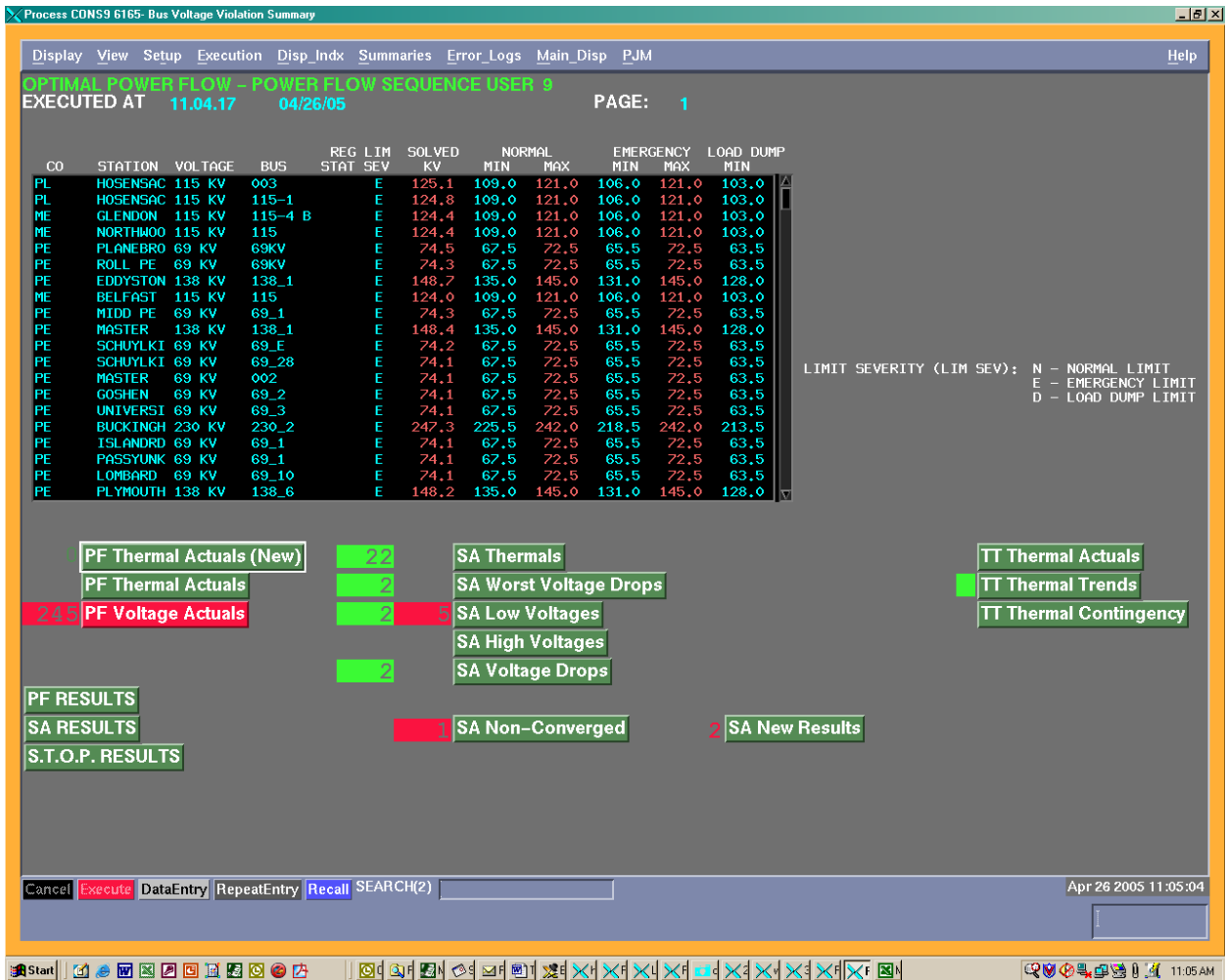


Exhibit 22: Voltage Actuals Prior to Mitigation Steps

- The PJM Reliability Engineer will then determine if the mitigating strategy identified in the day(s)-ahead studies are applicable based on projected system conditions. The PJM Reliability Engineer will finalize a set of recommended mitigation steps to take in order to accommodate the testing, and communicate this strategy with the affected LCC and MOC. The LCC and MOC may raise any concerns or additional issues at that time. Mitigation strategies include adjustments to capacitors, reactors, LTC, or surrounding unit MVAR outputs.
- Once the PJM Reliability Engineer and the LCC have developed and confirmed a set of mitigation steps, PJM will contact the MOC and inform them that mitigation steps must be taken prior to allowing the unit to test. The PJM Reliability Engineer must contact the MOC at least two hours prior to the start of testing.
- The PJM Reliability Engineer and the LCC will take the appropriate actions prior to the unit testing. In this example, 500 kv capacitors at or near the nuclear station were removed from service.

- The resultant voltage actuals, after the mitigation steps, are shown in the next screenshot.

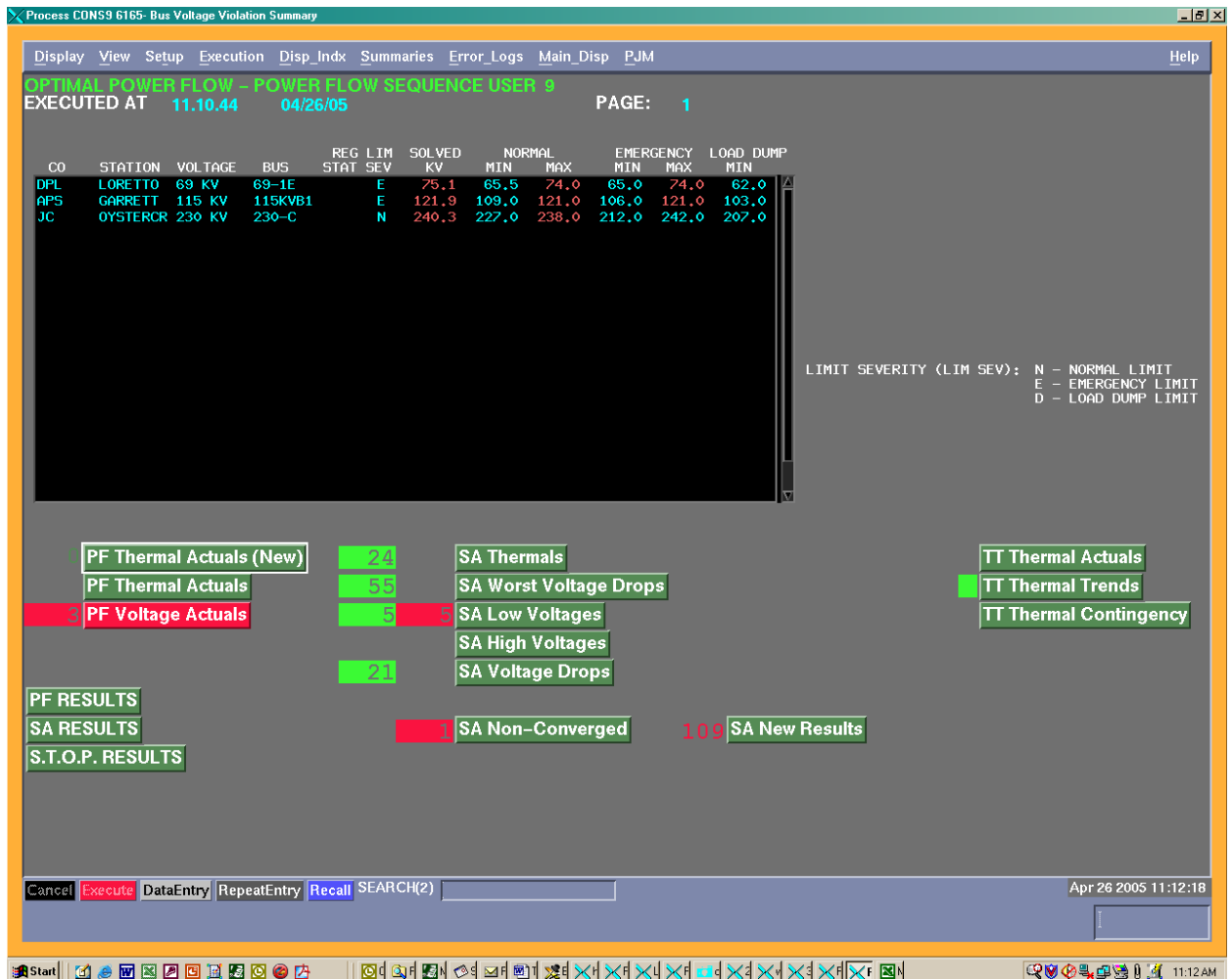


Exhibit 23: Voltage Actuals after Mitigation Steps

- Once the appropriate mitigation steps have been taken, the PJM Reliability Engineer will inform the MOC that their unit is clear for testing.
- The required mitigation steps may need to be implemented in stages, as the unit moves to its' full MVAR output level. In this example, as the nuclear unit increases its reactive output, the capacitors would be removed as needed in order to control voltages on the 500kv and 230kv systems.

Note: The mitigation strategy identified in this case may or may not be the strategy selected. Based on projected proximity to the Eastern Reactive Transfer Limit, the strategy selected may have included a combination of removing capacitors from service and reducing local unit reactive output. The PJM Power Director would discuss all possible options with the LCC.

Attachment G: PJM Generator Markets and Operations Process Flow Diagram

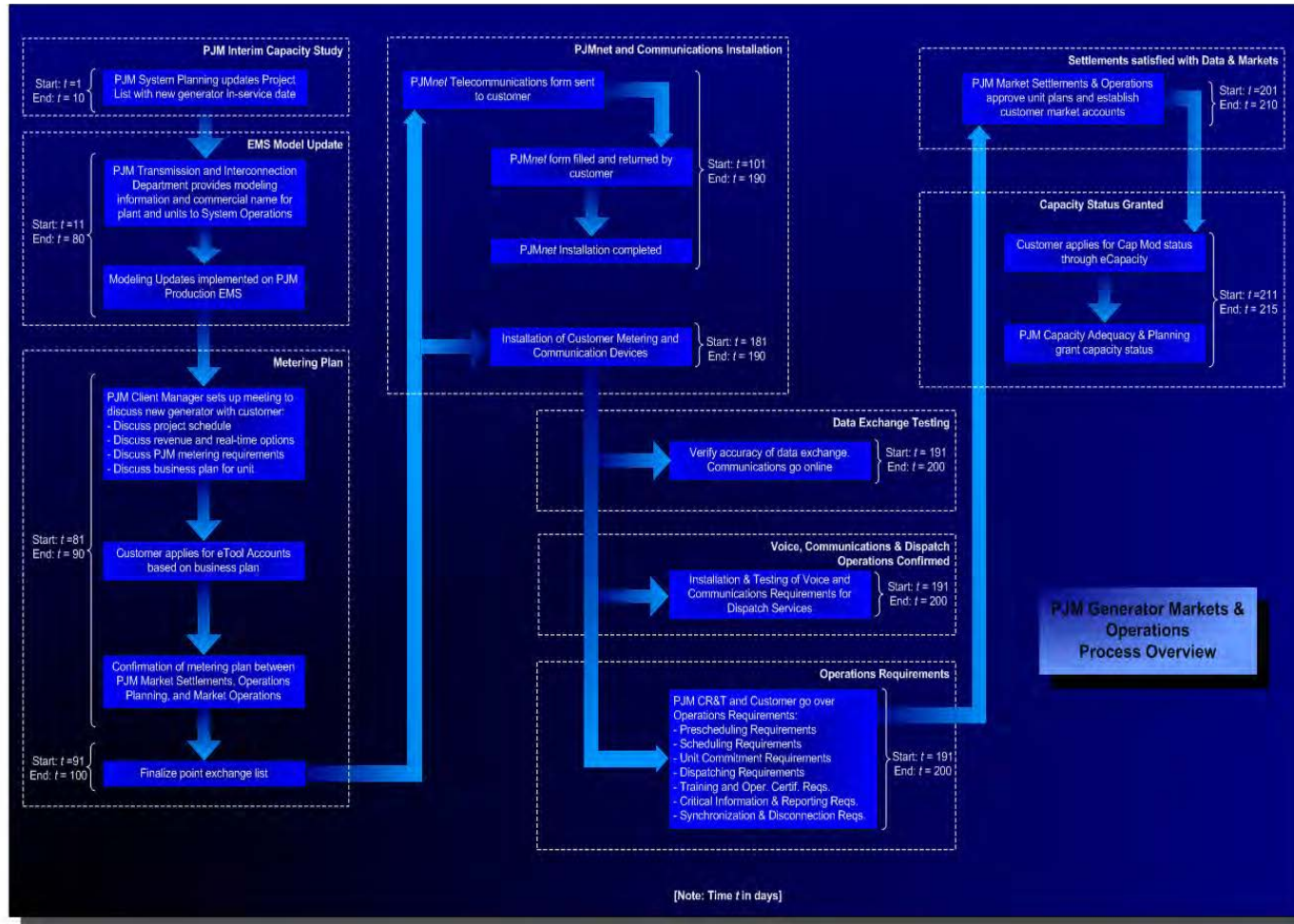


Exhibit 24: PJM Generator Markets and Operations Process Overview

Attachment H: PJM Generation and Transmission Interconnection Planning Process Flow Diagram

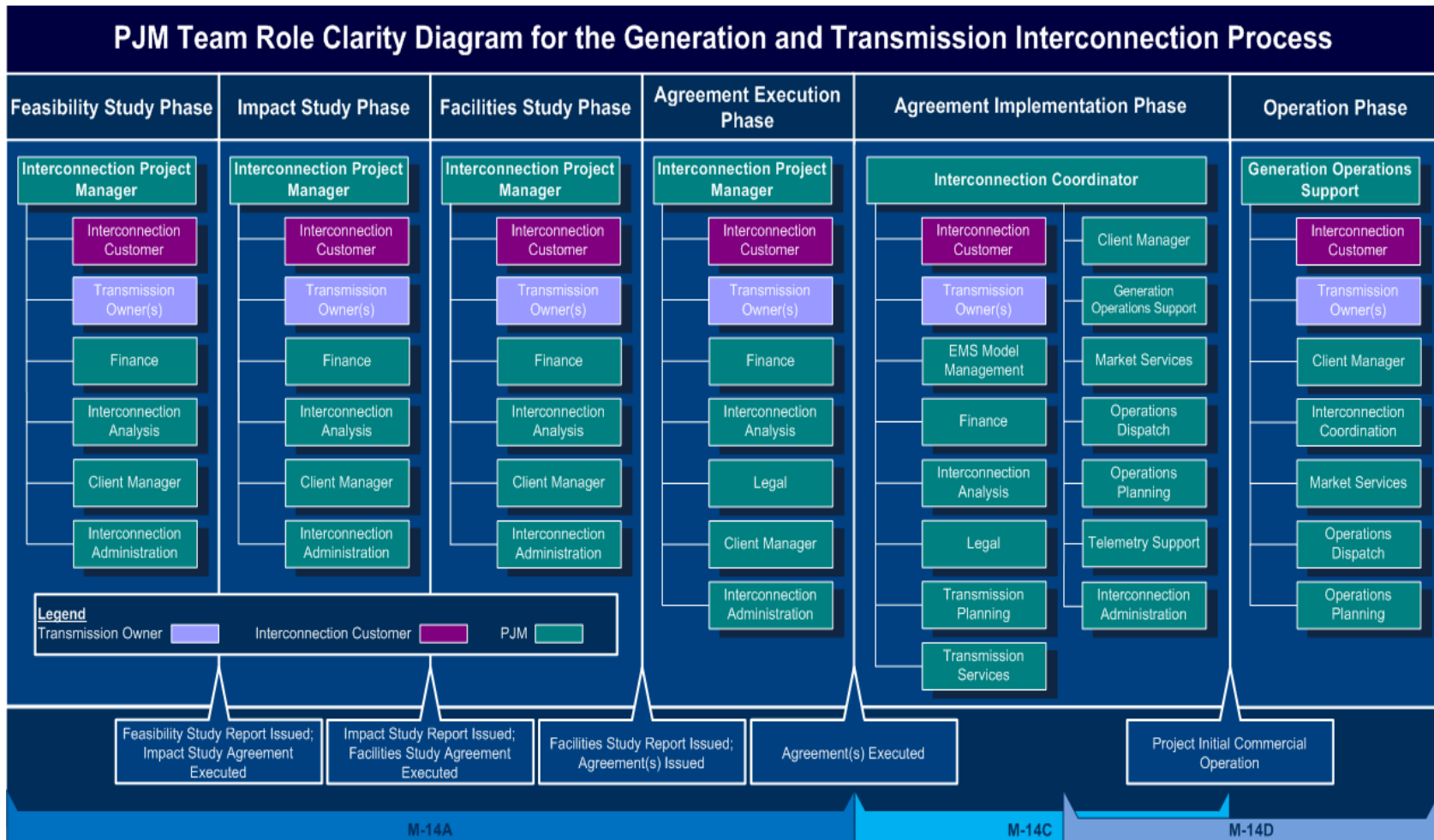


Exhibit 25: Implementation Team Role Clarity Diagram



Attachment I: Generator Data Confidentiality Agreement

**GENERATOR DATA
CONFIDENTIALITY AGREEMENT**

This GENERATOR DATA CONFIDENTIALITY AGREEMENT (“Agreement”) is made and entered into by _____ a (state of organization) (type of organization) (hereinafter “Transmission Owner”), _____ a (state of organization) (type of organization) (hereinafter “Generator”), and PJM Interconnection, L.L.C. a Delaware Limited Liability Company (hereinafter “PJM”) (each may be referred to herein as “Party” or collectively as “Parties”).

WITNESSETH

WHEREAS, Transmission Owner and Generator recognize that, while PJM has the overall power system reliability responsibility in the PJM region, owners of transmission facilities within the PJM region perform certain reliability functions with respect to their individual transmission systems and distribution systems.

WHEREAS, Generator acknowledges that PJM historically has provided certain confidential data regarding Generator’s generating facilities to Transmission Owner, and that the Confidential Information specified in the Generator-Data Release Matrix incorporated herein by reference may be needed to allow the Transmission Owner to perform security analysis and to carry out the reliability functions described above, Generator agrees that PJM may provide such Confidential Information to Transmission Owner pursuant to the terms and conditions of this Agreement.

WHEREAS, Transmission Owner acknowledges that Generator's data, is confidential and must be protected in accordance with the terms and conditions of this Agreement.

WHEREAS, the Parties intend to enter into this Agreement to provide for that data sharing and confidentiality of the data.

NOW, THEREFORE, Transmission Owner, Generator, and PJM agree as follows:

1. Definitions

- a. Confidential Information** "Confidential Information" is defined as (i) Generator data provided or to be provided by PJM to Transmission Owner regarding Generator's generating facilities pursuant to this Agreement and specified in the Generator-Data Release Matrix, as it may be modified from time to time; and (ii) Generator data already in the Transmission Owner's possession upon the effective date of this Agreement. Confidential Information shall be disclosed only to the entities listed in Section 2.c.1. of this Agreement and only used to enable Transmission Owner to perform Transmission Owner's Reliability Function.
- b. Transmission Function** "Transmission Function" is defined as the "transmission system operations" or "reliability functions" of the Transmission Owner as those terms are used in the Federal Energy Regulatory Commission's ("FERC") standards of conduct in 18 C.F.R. § 358.
- c. Transmission Owner's Reliability Function** "Transmission Owner's Reliability Function" consists of real-time energy management system applications, state estimator and security analyses, monitoring of its transmission system and underlying

distribution system, transmission outage planning, operating reliability and operator training simulator, power flow analyses, contingency operating procedures for peak summer and peak winter load conditions, planned transmission circuit outage feasibility analyses, operating procedure development, and peak load analyses. The Parties may mutually agree to include in the definition of Transmission Owner's Reliability Function additional monitoring responsibilities not listed herein.

- d. **Generator–Data Release Matrix** The Generator-Data Release Matrix, as it may be modified from time to time pursuant to Section 5 of this Agreement, specifies the Confidential Information that PJM is authorized to provide Transmission Owner pursuant to this Agreement. The Generator-Data Release Matrix is incorporated by reference into this Agreement. The Generator-Data Release Matrix shall include: (i) the name of the Transmission Owner; (ii) the name of the Generator; (iii) the identity of the generating facilities with regard to which PJM is authorized to provide Confidential Information to Transmission Owner pursuant to this Agreement; and (iv) the type of Confidential Information (real time and/or scheduled data) PJM is authorized to provide to Transmission Owner pursuant to this Agreement. The Generator-Data Release Matrix shall be signed by authorized representatives of the Generator and the Transmission Owner. Transmission Owner shall provide PJM with a copy of the initially executed Generator-Data Release Matrix and any modified Generator-Data Release Matrices executed thereafter. In no event will PJM provide Confidential Information to Transmission Owner pursuant to this Agreement prior to receipt of the Generator-Data Release Matrix.

2. Rights and Responsibilities

a. **Generator's Authorizations.** During the term of this Agreement, Generator authorizes PJM to provide to the Transmission Owner the Confidential Information specified in the Generator-Data Release Matrix, as it may be modified from time to time, pursuant to the terms and conditions of this Agreement.

b. PJM's Responsibilities

1. Upon receipt of the initial Generator-Data Release Matrix and/or any subsequent modified Generator-Release Matrices, PJM shall provide only the Confidential Information as defined in the initial Generator-Data Release Matrix or subsequent modified Generator-Release Matrices to the Transmission Owner. PJM shall provide the Confidential Information as defined in the Generator-Data Release Matrix or subsequent modified Generator-Data Release Matrices on an on-going basis until this Agreement is terminated or superseded.
2. Subject to Section 2.c. of this Agreement, PJM shall provide Confidential Information only to the Transmission Owner's Transmission Function personnel.

c. Transmission Owner's Rights and Responsibilities

1. Transmission Owner shall not disclose Confidential Information to any person except as permitted under this Agreement. Transmission Owner may disclose Confidential Information only to the Transmission Owner's Transmission Function personnel and other employees,

officers, directors, agents, consultants, contractors, attorneys, accountants, and advisors, including non-employees, (collectively "Representatives"), whose access is necessary, in the reasonable discretion of Transmission Owner, to perform Transmission Owner's Reliability Function or to interpret or implement this Agreement.

2. Section 2.c.1 notwithstanding, consistent with 18 C.F.R. § 358.5, the Transmission Owner shall not disclose Confidential Information to employees engaged in marketing or sales or any employee of any energy affiliate as defined in 18 C.F.R. § 358.3.
3. Transmission Owner shall be responsible for any breach of this Agreement by any of its Representatives. Transmission Owner promptly shall notify Generator and PJM of any actual or suspected breach of this Agreement by Transmission Owner or any of its Representatives. Such notification shall include the nature and cause of the breach, the Confidential Information that was disclosed, the identity of the persons involved, and actions taken by Transmission Owner to correct or mitigate the breach.
4. The Transmission Owner may disclose Confidential Information only to Representatives who have been informed of both the confidentiality restrictions contained in this Agreement and who have executed a Confidentiality Agreement Certification ("Certification") (a pro forma form of which is attached) under which they are bound by the terms and conditions of this Agreement.

5. Transmission Owner may use the Confidential Information only for the purpose of performing Transmission Owner's Reliability Function and shall not otherwise use the Confidential Information for its own benefit or for the benefit of any other person.
6. Transmission Owner does not, by virtue of this Agreement or otherwise, acquire any right title, or any interest of any kind in the Confidential Information. All Confidential Information shall remain the property of Generator. No license or other right under any patent or other proprietary right is granted or implied by the conveyance of the Confidential Information.
7. At Generator's expense, upon reasonable notice, during business hours, and at a date and time reasonably agreed upon by the Generator and Transmission Owner, Transmission Owner shall permit the Generator, and Generator shall have the right, to audit compliance with this Agreement to the extent reasonably necessary and remove all Confidential Information not destroyed in compliance with this Agreement. The Generator's right shall include the right to examine the records of Transmission Owner but not the right to examine information relating to other entities that own generating or transmission facilities.
8. Notwithstanding anything in this Agreement to the contrary, if required by applicable law or in the course of administrative or judicial proceedings, except for FERC proceedings, to disclose to a third party Confidential

Information, Transmission Owner shall be permitted to make disclosure of such Confidential Information; provided, however, that as soon as reasonably practicable after the Transmission Owner learns of the disclosure requirement and prior to making disclosure, Transmission Owner shall notify Generator of the disclosure requirement and Generator may direct, at its sole discretion and cost, any challenge to, or defense against, the disclosure requirement and Transmission Owner shall cooperate to the maximum extent practicable to minimize the disclosure of Confidential Information consistent with applicable law. In the event that the FERC or its staff, during the course of an investigation or otherwise, requests Confidential Information from Transmission Owner, Transmission Owner shall provide the requested Confidential Information to the FERC or its staff; provided that, consistent with 18 C.F.R. § 388.112, Transmission Owner must request that the Confidential Information be treated as confidential and non-public by the FERC and its staff and that the information be withheld from public disclosure. Transmission Owner shall notify Generator when it is notified by FERC or its staff, that a request for disclosure of, or decision to disclose, Confidential Information has been received, at which time Generator may respond before such Confidential Information would be made public, pursuant to 18 C.F.R. § 388.112.

9. Transmission Owner shall maintain a current list of all Representatives, (including their job titles, duties and responsibilities, employee or contract status, and the name

of the organization for which they are employed) who have signed the Certification and thereby are permitted access to the Confidential Information. Transmission Owner shall provide this list to Generator and PJM initially within 30 days of the execution of this Agreement and thereafter upon request. The Generator may challenge whether the Transmission Owner's release of the Confidential Information to Representatives on the above-described list is consistent with the terms of this Agreement by providing written notice to the Transmission Owner including the rationale for the challenge. Any dispute arising under this section shall be resolved pursuant to the PJM dispute resolution procedures set forth in Schedule 5 of the Amended and Restated Operating Agreement of PJM Interconnection, L.L.C., as may be amended from time to time ("PJM Operating Agreement").

10. Subject to Subsection 2.c.8 above, Transmission Owner shall protect and keep confidential all Confidential Information it receives from PJM. It may, copy, post, distribute, disclose or disseminate the Confidential Information only in the following manner. Transmission Owner may make a limited number of copies of written or electronic materials to enable Transmission Owner adequately to use the Confidential Information within the terms and conditions of this Agreement. If the Transmission Owner prints or electronically conveys any Confidential Information, it shall protect each copy as Confidential Information in accordance with this Agreement and mark each copy as "Confidential Information." In no

event shall the Transmission Owner protect Confidential Information using standards that are less stringent than those standards that the Transmission Owner employs in protecting its own confidential or proprietary information.

11. Upon the completion of the use of Confidential Information for the purpose of performing Transmission Owner's Reliability Function, the Transmission Owner shall destroy all Confidential Information no longer needed for the Transmission Owner's Reliability Function analyses or studies. Transmission Owner shall ensure that best efforts have been undertaken to destroy the Confidential Information.
3. **Dispute Resolution** If, at any time during the term of this Agreement, any Party questions whether any other Party is breaching the terms of this Agreement, or any dispute arises under the terms of this Agreement, either Party may request mediation using the same procedures laid out in PJM's dispute resolution procedures (Schedule 5 of the PJM Operating Agreement). No Party shall take any action contrary to this Agreement unless and until allowed to do so as the result of such mediation.
 4. **Modification to Agreement** No Party shall have the unilateral right to modify the terms of this Agreement or the Generator-Data Release Matrix.
 5. **Modification to Generator-Data Release Matrix** The Generator-Data Release Matrix may be modified from time to time by the Generator and the Transmission Owner pursuant to procedures set forth in this Section 5. Such modifications may include adding or deleting generating facilities with regard to which PJM will provide Confidential Information to

Transmission Owner and/or the type of Confidential Information relating to the specified generation facilities that PJM is authorized to provide Transmission Owner. The respective designated PJM Operating Committee representative for the Transmission Owner and the Generator shall be authorized to approve and execute the initial Generator-Data Release Matrix, and to make any subsequent modifications thereto on behalf of the Transmission Owner and Generator respectively. In the event Transmission Owner or Generator does not have a PJM Operating Committee representative, then its Members Committee representative shall be authorized to approve and execute the initial Generator-Data Release Matrix and any subsequent modified Generator-Data Release Matrices. Any Generator-Data Release Matrix modified pursuant to this Section 5 shall be incorporated by reference into this Agreement and execution of a separate Generator Data Confidentiality Agreement will not be required. All Confidential Information provided Transmission Owner pursuant to a modified Generator-Data Release Matrix is Confidential Information as defined in this Agreement and must be treated and maintained under the terms and conditions of this Agreement. Transmission Owner shall provide PJM with any Generator-Data Release Matrices modified pursuant to this Section 5. PJM shall provide Transmission Owner only with the Confidential Information specified in the most recent Generator-Data Release Matrix in its possession.

6. **Assignment** This Agreement may not be assigned, delegated, or transferred by any Party without the other Parties' written consent provided, however, that any Party may, without the consent of the other Parties, assign its rights and obligations under this Agreement to an entity that becomes its successor in interest by acquiring all, or substantially all, of such Party's assets through merger, consolidation,

sale, foreclosure, or corporate reorganization. Such consent shall not be unreasonably withheld or delayed. This Agreement shall bind the successors and assignees of the Parties to this Agreement.

7. Term

This Agreement shall become effective on the date executed and remain effective until superseded or terminated by mutual agreement of the Parties.

8. Survival of Confidentiality

The terms and conditions of this Agreement with regard to treatment of Confidential Information under this Agreement shall remain in effect until the Confidential Information is destroyed pursuant to the terms of this Agreement, and shall survive the termination of this Agreement until such time as all Confidential Information protected under the terms and conditions of this Agreement is destroyed. Termination shall be prospective only and shall not affect any obligation of the Parties with respect to Confidential Information provided to Transmission Owner prior to the effective date of this Agreement or pursuant to the this Agreement. Notwithstanding the effective date of this Agreement, any Confidential Information disclosed by PJM to the Transmission Owner prior to such effective date shall be deemed Confidential Information pursuant to the terms hereof.

9. Agreement Not Applicable

Nothing herein shall apply to any Confidential Information that:

- a. after disclosure by Transmission Owner, Confidential Information entered the public domain without any action or fault of the Transmission Owner;

- b. is obtained from any individual, firm or entity which had the unrestricted right to disclose it;
- c. is required to be publicly disclosed under court or governmental order, subject to compliance with the procedures set forth in Section 2.c.11 hereof.

10. Remedies

- a. Transmission Owner and Generator understand and agree that monetary damages may not be an adequate remedy for a breach of this Agreement. Any monetary damages as a result of a breach of this Agreement shall be limited to one million dollars, which shall include any and all damages, including, but not limited to, punitive and legal fees or expenses or costs incurred in enforcing this Agreement, or recovering damages from any breach hereof. In the event of any breach or threatened breach by either Generator or Transmission Owner, the other Party shall be entitled to injunctive and other equitable relief, and that there shall be no pleading in defense thereto that there would be an adequate remedy at law. Such remedy shall be in addition to all other remedies available to it at law, or in equity.
- b. Notwithstanding anything in this Agreement to the contrary, PJM shall not be liable for any claims, demands or costs arising from, or in any way connected with its performance under this Agreement, other than actions, claims or demands based on gross negligence or willful misconduct. Any monetary damages as a result of any such action, claim or demand against PJM based on gross negligence or willful misconduct shall be limited to one million dollars, which shall include any and all damages including but not limited to punitive damages and legal fees or

expenses or costs incurred in enforcing this Agreement, or recovering damages from any breach hereof.

- 11. Entire Agreement** This Agreement along with the Generator- Data Release Matrix, as it may be modified from time to time, incorporated by reference herein constitute the entire Agreement between the Transmission Owner, Generator, and PJM regarding the subject matter hereof, and shall not be subject to change or amendment except in writing signed by authorized representatives of the Transmission Owner, Generator, and PJM. All provisions of this Agreement are severable, and the unenforceability of any provision shall not affect the validity or enforceability of the remaining provisions.
- 12. Relationship to Other Agreements** This Agreement supersedes the Interim Generator Data Confidentiality Agreement executed by the Parties. This Agreement does not supersede any existing generation interconnection agreements or other agreements in effect between the Transmission Owner and the Generator that govern the treatment of exchanged generator data. This Agreement also does not preclude the Generator and Transmission Owner from entering into a separate agreement regarding the exchange of generator data not included in the Generator-Data Release Matrix.
- 13. Authority to Enter into this Agreement** Transmission Owner, Generator, and PJM each represent and warrant that it has full legal authority to enter into this Agreement and to abide by the terms and conditions of, and fulfill the responsibilities set forth in, this Agreement
- 14. No Waiver** No failure or delay by either Transmission Owner, Generator, or PJM in exercising any right, power or privilege hereunder shall operate as a waiver thereof, nor shall any single or partial exercise

thereof preclude any other or further exercise of any other right, power or privilege hereunder.

- 15. Notices** Communications shall be sent to the Parties at the addresses indicated herein, or to such other address as either Party may specify in writing.
- 16. No Warranties/Relationship of the Parties** Generator makes no, and shall not be deemed to have made any, covenant, warranty or representation as to the accuracy or completeness of any Confidential Information disclosed by it. Generator shall not have any liability relating to or arising from Transmission Owner's use of any Confidential Information. This Agreement does not establish a partnership, agency, joint venture or similar relationship, obligate either Party to enter into such a relationship, and/or constitute any agreement by the Parties not to compete.
- 17. Counterparts; Facsimile Execution** This Agreement may be executed in counterparts, with each executed counterpart having the same force and effect as the original counterpart. This Agreement shall be deemed binding upon the Parties if each Party executes this Agreement, sends the executed Agreement via facsimile to the other Parties, and receives confirmation of receipt of the executed Agreement from the other Parties.
- 18. Applicable Law** Pennsylvania law applies to this Agreement and any disputes arising thereunder resulting in litigation shall be litigated in the courts of Pennsylvania.



IN WITNESS WHEREOF, Transmission Owner, Generator, and PJM have caused this Agreement to be executed by their respective authorized officials.

TRANSMISSION OWNER

By: _____
Name Title Date

GENERATOR

By: _____
Name Title Date

PJM INTERCONNECTION, L.L.C.

By: _____
Name Title Date



CONFIDENTIALITY AGREEMENT CERTIFICATION

I [name] hereby certify that Confidential Information is being provided to me pursuant to the terms and restrictions of the Generator Data Confidentiality Agreement dated _____ between [Transmission Owner] and [Generator] and PJM Interconnection, L.L.C. (“Confidentiality Agreement”) and I agree to be bound by the terms and conditions of the Confidentiality Agreement. I understand that the Confidential Information, including any portion of any notes, memoranda, studies, or any other writing that I or [Transmission Owner] creates and that contains information from the Confidential Information, shall not be disclosed to anyone other than in accordance with the terms and conditions of the Confidentiality Agreement, and shall be used only for the purpose of performing Transmission Owner’s Reliability Function. My obligation under this Confidentiality Agreement Certification shall survive my termination or change of duty or employment status.

Printed Name: _____

Signature: _____

Title: _____

Company/Organization: _____ Date: _____



**Attachment K: Template Letter for a Transmission Owner Seeking
Generator Data Within its Zone to be Released by PJM**

[TO Company Name]
[TO's Street Address]
[TO's City, State, and Zip Code]
[Date]

[GO Representative Name]
[GO Company Name]
[GO's Street Address]
[GO's City, State and Zip Code]

To [GO Representative Name]:

In order for [TO Company Name] to perform reliability analysis, we require PJM to provide us generator data that your company provides to PJM. Your generator lies within our transmission zone and this information is integral to the reliability analysis that we must perform to ensure the transmission grid remains reliable.

Please authorize PJM Interconnection to release to [TO Company Name] the generator data that is within our transmission zone. We request this data for each of the following units: [List generator units here]. Please sign three copies of this letter and send two of them to PJM, addressed to the Manager of the Generation Department. PJM will retain one of the data release authorization forms and send the other form to the initiating transmission owner. PJM's Law Department will keep a record of this data release authorization form

Sincerely,

TO Officer Signature
[TO Officer Name]
[TO Company Name]

Generator Owner Authorization

I authorize PJM to provide the above requested generation data to [TO Name].

GO Officer Signature
[GO Officer Name]
[GO Company Name]

Attachment L: Wind Farm Communication Model

Manual dispatch directives to multiple wind owners delay controlling actions resulting in less efficient market operations and a potential adverse impact to system reliability. Manual dispatch to a subset of owners at a common Wind Farm may result in customers questioning curtailments and additional administrative procedures to ensure fair/equitable reductions to an aggregate plant on a rotating basis. A single SCED basepoint for a Wind Farm to a single MOC Generation System Operator is an effective solution to ensure efficient and reliable operations.

The purpose of this section is to define a dependable real-time communications model to manage wind, ensuring:

1. A single MOC Generation System Operator (single operational contact) for the processing of all real-time dispatch electronic signals and operational issues.
2. Accurate outage data, which is essential for an accurate Wind Power Forecast
3. Prompt wind power reduction via the mandatory use of the “Curtailment Indicator,” which typically would occur as a last resort just prior to emergency procedures.

Note 1: This communication model may be expanded to include other renewable resources as PJM develops forecast tools or their penetration levels increase.

Note 2: The MOC Generation System Operators (single operational contact) will need to meet the PJM certification and training requirements outlined in PJM Manual 40: Training and Certification Requirements.

Option 1: PJM Operations would prefer a model where there is a single MOC Generation System Operator (single operational contact) responsible for the entire Wind Farm operations. The single contact would be responsible for all day-ahead and real-time bidding into PJM Systems (eMkt), process an SCED basepoint, real-time communications with PJM Dispatch, as well as providing accurate turbine outage information within eDart. Settlements can be allocated by PJM based on ownership shares.

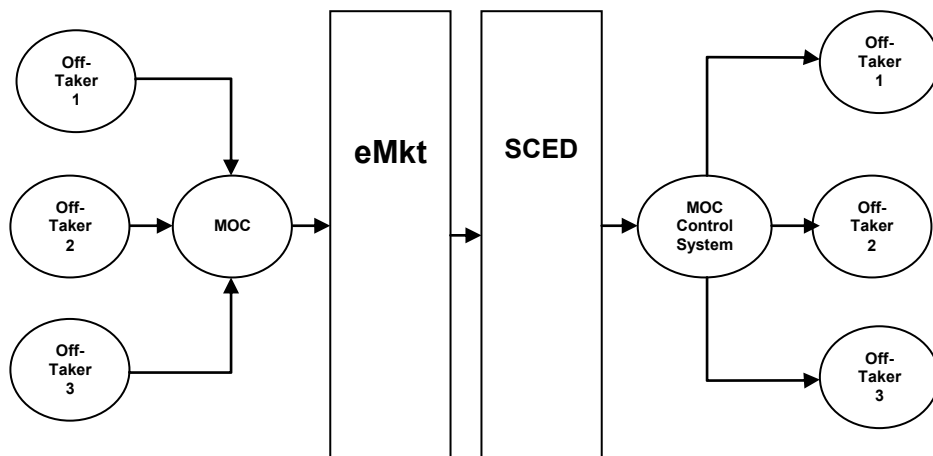


Exhibit 26: Wind Farm Communication Model 1

Option 2: The alternate solution would still require a single MOC Generation System Operator (single operational contact), however, each owner/off taker would still be able to interact with eMkt, providing day-ahead bids and hourly updates. The single operational contact would be responsible for processing SCED basepoints, all real-time communications with PJM Dispatch, as well as providing accurate turbine outage information within eDart. PJM SCED would send individual basepoints to each owner/off taker as well as sending an aggregate base point to the operational contact. Settlements will model individual owner/offtakers.

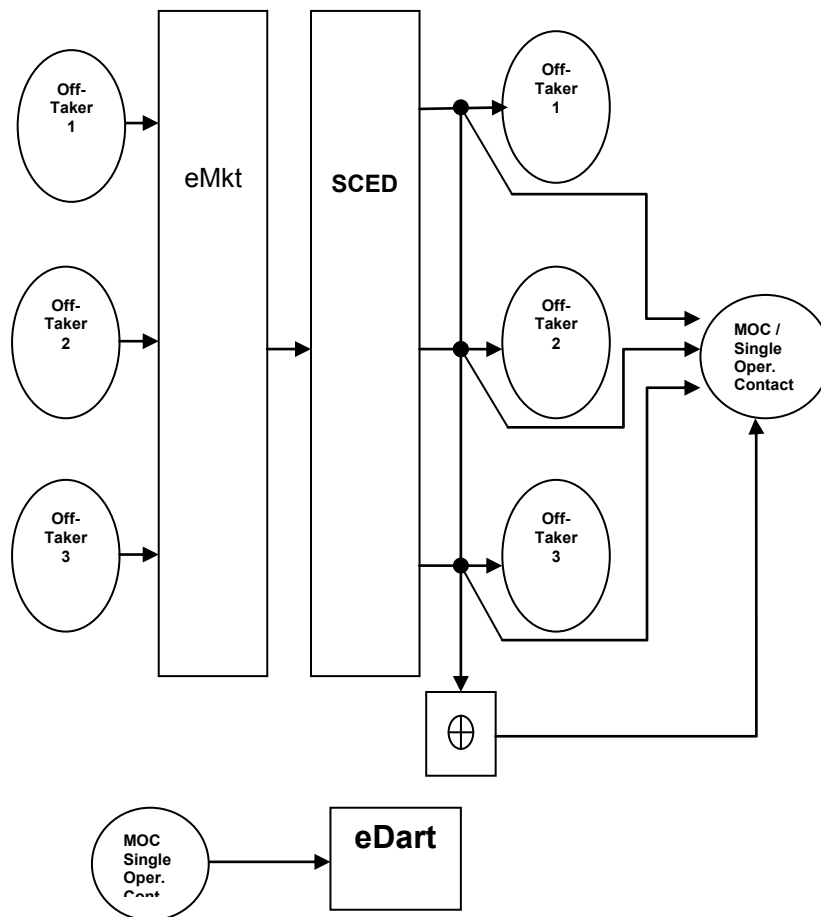
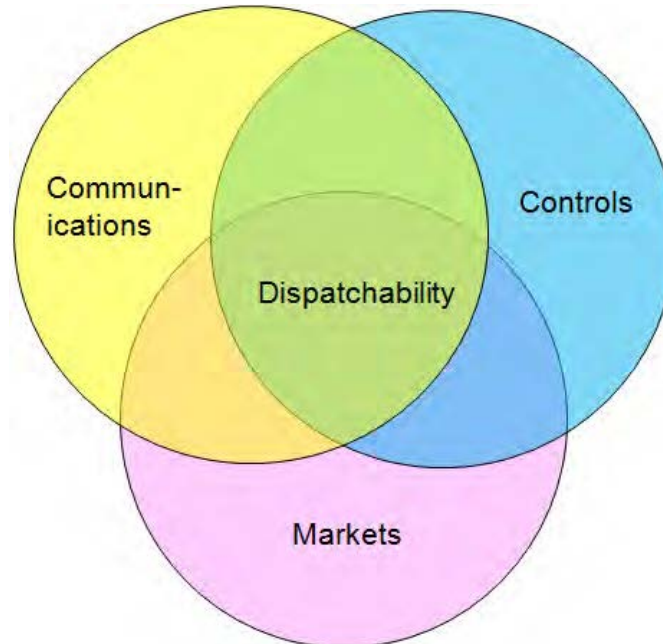


Exhibit 27: Wind Farm Communication Model 2

Attachment M: Wind Unit Dispatchability Check List

In order to ensure resources do not force emergency procedures, they must be dispatchable in the range between the greater of the resources physical minimum operating level or Capacity Interconnection Rights (CIR) and the Maximum Facility Output (MFO), i.e., Fixed Gen flag must not be selected. The three requirements for a unit to be dispatchable are:



I. Communications:

1. The unit must send active MW, Wind Speed and Wind Direction via SCADA/ICCP; values sent to PJM cannot be static or flat-lined for an extended period of time and must be within reasonable limits.
2. The unit must electronically receive control signals, including Economic Basepoint, Curtailment Flag, and the Generator On Reason (GENRUNR).
3. All eDart generator outage tickets must be up to date.

II. Controls:

1. The unit must be capable of following electronic control signals as received, i.e. have the physical controls in place to throttle their turbines / generation or processes to remove turbines from service. Control signals include Economic Basepoint, Curtailment Flag, and the Generator On Reason (GENRUNR).

III. Markets

1. All units should follow their Economic Basepoint, even when curtailed by SCED.

- a) A unit will be dispatched so that its economic basepoint equals its economic max unless the unit is being curtailed. However, the economic basepoint is ramp rate limited to what the unit can ramp in the next look-ahead interval, at the ramp rate provided by the unit. The look ahead interval is adjustable by system operations based on system conditions and is currently configured at 15 minutes.
- b) If the basepoint doesn't make sense,
 1. Check EcoMin and EcoMax (see 2. below)
 2. Check Unit Availability status (economic, must run, not available)
 3. Check for manual overrides (fixed gen flag, unit output)
 4. Check data quality (wind forecast; other telemetry must be updating)

2. All units should update their Economic Minimum and Economic Maximum.

- a) At least once an hour; more often as the forecast changes.
- b) Eco Min should be less than or equal to unit output and CIR ($\text{Eco Min} \leq \text{CIR}$ and $\leq \text{Output}$).
- c) Eco Max should be greater than or equal to unit output ($\text{Eco Max} \geq \text{Output}$).
- d) If Eco Min equals Eco Max, or if the Fixed Gen flag is set to yes, your dispatched basepoint will reflect back (or mirror) the units current output and the unit is considered not dispatchable.
- e) If a unit is operating above its Eco Max, the dispatch system will send a basepoint to move the unit to Eco Max. The curtailment flag is set if the non-ramp-rate-limited basepoint is below Eco Max while the unit continues to operate above its Eco Max. The unit is considered not dispatchable.

3. The telemetered Generation Run Reason code (GENRUNR), indicates PJM's 'logged-on' status for the unit:

- a) These values of GENRUNR mean your unit is dispatchable:
 1. 2 or 17 indicate your unit is operating as Economic.
 2. 22 indicates your unit is Company Dispatchable.
- b) These values of GENRUNR indicate your unit is not dispatchable:
 1. 16 indicates your unit is Released. Contact PJM Dispatch to have this corrected.
 2. Other on reasons may cause the unit to be considered not dispatchable, i.e. basepoint mirrors current output (see section 2.d above). Contact PJM Dispatch to have this corrected.



Related documents on PJM.com:

Wind Specific Requirements for PJM Wind Resources:

<http://pjm.com/~/media/committees-groups/task-forces/irtf/20120820/20120820-item-03a-existing-requirements-for-wind-farm-dispatch.ashx>

PJM eMkt users guide:

<http://www.pjm.com/sitecore%20modules/web/~/media/etools/emkt/ts-userguide.ashx>

Appendix A: Behind the Meter Generation Business Rules

Definition and Purpose of Behind-the-Meter Generation (BtMG)

- (1) The purpose of these rules is to permit market participants operating Behind-the-Meter Generation (BtMG) to receive the associated benefits. These benefits are recognized by allowing such generation to net for the purposes of calculating transmission, capacity, ancillary services, and administrative fee charges.
- (2) The netting rules for BtMG are set forth in the PJM Open Access Transmission Tariff ("PJM Tariff"), the Amended and Restated Operating Agreement of PJM Interconnection, L.L.C. ("Operating Agreement"), and the Reliability Assurance Agreement Among Load Serving Entities in the PJM Region ("RAA"). These documents filed with the Federal Energy Regulatory Commission will take precedence in the event of any conflict or ambiguity between these rules and the filed documents.

Eligibility for BtM Netting

- (3) These rules apply to BtMG used by end-use customers, municipal electric systems, electric cooperatives, and electric distribution companies to serve load. The load must be located at the same electrical location as the BtMG, such that no transmission or distribution facilities are utilized to transmit energy from the BtMG to the load. An exception to the prohibition on use of distribution facilities rule is allowed, in cases where permission to use the requisite distribution facilities has been obtained from the owner, lessee, or operator of such facilities. Such permission must be submitted in writing to PJM from the owner, lessee or operator of such distribution facilities.
- (4) BtMG netting is only available to entities that have Network Integration Transmission Service agreements with PJM.
- (5) These business rules do not supersede any elements of existing retail service agreements or standby service agreements between an entity and its Load Serving Entity or the Electric Distribution Company to which the associated load is connected.

BtM Netting – General Rules

- (6) BtMG does not include at any time, any portion of a generating unit's capacity that is designated as a Capacity Resource; or in any hour, any portion of the output of such generating unit that is sold to another entity for consumption at another electrical location or into the PJM Interchange Energy Market.
- (7) Generation Owners shall not be eligible to receive payments, pursuant to Schedule 2 of the PJM Tariff, for reactive service for portions of generating units upon becoming a BtM Generator. Generation Owners subject to this rule shall cooperate with PJM in making any regulatory filings that may be required to implement this rule.
- (8) The need for metering for small BtMG will be treated on a case-by-case basis, depending on local operational security needs. For the purposes of this rule, small BtMG shall be individual generating units that are less than 10 MW, or multiple generating units that are collectively less than 10 MW. Generally, these units will not require

- metering for operational security purposes. Rules for metering are detailed in the PJM Manual for Generator Operational Requirements (M-14D).
- (9) BtMG that is 10 MW or greater (or has been identified as requiring metering for operational security reasons) must have both revenue metering and telemetering for operational security purposes. Single unit small BtM generators that collectively total more than 10 MW, may be aggregated behind the meter and metered as a single unit to meet this requirement should PJM require metering for the aggregate generation. Rules for metering are detailed in the PJM Manual for Generator Operational Requirements (M-14D).
 - (10) BtMG will be recognized in PJM transmission and generation adequacy planning models. Load and generation will be modeled separately where practicable.
 - (11) If multiple generation units are located behind the meter, each unit can be designated as either a Capacity Resource or as BtMG on a unit specific basis or on a partial unit basis.
 - (12) A party may change all or a portion of a unit's capability from Capacity and/or Energy Resource status to BtMG status, or from BtMG status to Capacity and/or Energy Resource status (provided the generator has met the applicable requirements for Capacity Resource status), but cannot be used for both purposes simultaneously for a designated portion of a unit's capability. Any portion of a unit that has been qualified as a Capacity Resource is subject to the same requirements as any other PJM Capacity Resource. Because of the number of procedural requirements associated with changing to or from BtMG status, such changes shall be limited to once per year in accordance with the schedule set forth below.
 - (13) A Capacity Resource that changes to BtMG, or a new generator that requests BtMG status will be able to net its full installed capacity value for the first calendar year for transmission and the first Planning Period for capacity. The netting value for all succeeding years will be based on actual generator performance over the 5 CP and 1 CP days.
 - (14) Requests for BtMG changes for transmission charges, black start service, and reactive service must be received by PJM by December 1 and will become effective the following January 1. The change shall remain in effect for a period no less than one calendar year.
 - (15) Requests for BtMG changes for capacity obligations must be received by PJM by December 1 and will become effective the following June 1. The change shall remain in effect for a period no less than one Planning Period.
 - (16) Requests for BtMG changes for energy-based ancillary service charges (i.e., those ancillary services charged on a MWh basis such as regulation, spinning and operating reserves) and for administrative fee charges can be made anytime. The change will become effective on the first of the month following PJM's communication that all logistical modifications (as may be required, for example, to metering or billing/settlement records) have been completed. The change shall remain in effect for a period no less than 12 months from the month the change becomes effective.
 - (17) If a generator is granted BtMG status for one purpose (such as capacity), it must become BtMG for all other purposes described in Rules 14, 15 and 16 above, and in accordance with the timetables established in those rules. A generator that changes its

status to BtMG pursuant to Rules 14 and 16 will be deemed to have given notice pursuant to Rule 15 to request BtMG status for capacity obligations for the Planning Period immediately following the Planning Period in which the Rule 14 and/or 15 BtMG request was made/effective., so as to comply with the notice requirements provided in Section 2.5.2 of the PJM Tariff.

- (18) The timing requirements established in Rules 14, 15 and 16 are not affected by a transfer of ownership; BtMG status changes are only permitted according to the timetable described in Rules 14, 15 and 16 above.
- (19) If Non-Retail BtMG is subject to a reduced netting credit as described in Rule 34 below, that generator is ineligible to change its behind the meter status until the full effect of that reduction has been fully rolled out.
- (20) If a Capacity Resource moves behind the meter, its injection rights will be treated the same as if the unit had been deactivated. Those injection rights are defined in Section 230 of the PJM Tariff, generally, and Section 230.3.3 specifically with respect to rights that apply if a generation resource is deactivated.

Participation in Load Management Programs

- (21) BtMG may participate in all relevant PJM demand side response programs (e.g. the PJM Interchange Energy Market and the PJM Capacity Market (RPM)) under the terms and conditions in effect at the time the BtMG requests participation in the program, subject to Rule 22 below.
- (22) A generator may be used for Load Management (LM) credit or it can be used to net against load as a BtM generator, but cannot be used for both purposes simultaneously. The election of BtM or LM status must remain in effect for an entire planning period.
- (23) A BtM generator may participate in the PJM Load Response programs under the terms and conditions in effect at the time the BtM generator requests to participate in the program.

Generation Netted Against Load

- (24) The load associated with BtMG must have a Load Serving Entity (LSE). The LSE will be responsible for supplying energy, capacity, ancillary services and transmission for that portion of the load not supplied by the BtMG. For the purposes of this rule, the load not supplied by the BtMG shall include load normally supplied by the BtMG during periods when the BtMG is not operating.
 - a. The capacity obligation for the load will be based on the average of the net load at the site(s) (gross load minus operating BtMG, not to be less than zero) at the time of the Zone's transmission peak (1CP) during the five (5) coincident peak hours, in accordance with the 5CP methodology in effect for the Zone.
 - b. Network Integration Transmission Service charges will be calculated as the net load at the site(s) (gross load minus operating BtMG, not to be less than zero) at the time of the Zone's transmission peak (1CP).

- c. Regulation and Spinning Reserve obligations will be calculated based on the net MWh of load at the site (hourly gross load minus operating BtMG, not to be less than zero) in real time.
 - d. Day-Ahead Operating Reserves will be charged based on the net amount of load at the site(s) that clear(s) in the PJM Day-Ahead energy market.
 - e. Balancing Operating Reserve deviations will be measured based on the net change of both the BtMG and the load between day-ahead and real-time.
 - f. PJM Schedule 9 administrative fees based on real time load and generation will be charged on the net value of load or generation as measured in real time.
- (25) Under this “netting” arrangement, the EDC and/or LSE will be responsible for reporting both the load and generation information to PJM for use in the load forecast for generators for which metering is required for operational security purposes. The EDC may need to obtain this information from the LSE and both parties are required to cooperate to ensure PJM receives the information.
- (26) For wholesale market participation, the interconnection requirements will be publicly available and, in cases where parallel operation will exist with the distribution or transmission system, determined by the EDC in accordance with applicable state or other jurisdictional requirements. The generator will be evaluated using the PJM interconnection process only if it is involved in a wholesale transaction.

BtM Netting – Non-Retail Participation

- (27) Non-Retail BtMG netting provisions apply to behind the meter generation used by municipal electric systems, electric cooperatives, and EDCs to serve load, provided that, if distribution facilities are used to deliver energy from Non-Retail BtMG to load, then permission to use such distribution facilities has been obtained from the owner, lessee, or operator of such distribution facilities. Such permission shall be submitted to PJM in writing from the owner, lessee or operator.
- (28) All entities using the Non-Retail BtMG option must have a Network Integration Transmission Service agreement with PJM.
- (29) Non-Retail BtMG netting is subject to a threshold amount. The Non-Retail BtMG threshold is 1,500 MW for calendar year 2006 for transmission charges, black start service, and reactive service, and for the 2006/2007 Planning Period for capacity obligations. Each year thereafter, the Non-Retail BtMG threshold will be increased based on PJM RTO load growth. PJM RTO load growth will be determined based on the most recent forecasted weather-adjusted coincident summer peak divided by the weather-adjusted coincident peak for the previous summer. After applying the load growth factor, the Non-Retail BtMG threshold will be rounded to the nearest whole MW, and that rounded number will be the Non-Retail BtMG threshold for that current year or Planning Period and the base amount for calculating the Non-Retail BtMG threshold for the succeeding year or Planning Period.
- (30) PJM shall communicate a change in the Non-Retail BtMG threshold through an email to all BtM generators and posting on the PJM website.
- (31) If the amount of Non-Retail BtMG netting exceeds the Non-Retail BtMG threshold, the amount of Non-Retail BtMG shall be prorated back to the threshold. In such instance,

the amount of Non-Retail BtMG eligible for netting by an entity shall be the product of its total Non-Retail BtMG multiplied by the ratio of the Non-Retail BtMG threshold divided by the total amount of the Non-Retail BtMG in the PJM RTO (not to exceed 3,000 MW). [Example: if the Non-Retail BtMG threshold is 1,500 and the total amount of Non-Retail BtMG netting in the PJM RTO reaches 2,000, then 75 percent of an entity's Non-Retail BtMG would be eligible for netting.]

- (32) The total amount of Non-Retail BtMG eligible for netting under the BtMG provisions is capped at 3,000 MW. If this cap is reached, no additional Non-Retail BtMG will be eligible for netting. Furthermore, within six months of reaching the cap, PJM shall file with the FERC to justify either continuation of the existing BtMG rules (including any expansion of the rules to include additional MW) or any change to the rules.
- (33) Each calendar year, netting Non-Retail BtMG resources shall be required to operate during the first ten occurrences of Maximum Emergency Generation (MEG) conditions in the zone in which the resource is located. This obligation applies to an MEG condition called for either generation or transmission emergencies. Notice of an MEG event shall be communicated through the PJM all-call system.
- (34) For each MEG condition in which netting Non-Retail BtMG is not on a scheduled outage but fails to operate, in whole or in part, the netting associated with that resource for purposes of charges for transmission service, reactive service, black start service, and capacity obligations will be reduced by ten percent of the amount of megawatts the resource failed to produce. The amount of megawatts that the resource failed to produce will be the difference between its full netting credit and its megawatt average output over the MEG period. [Example: if a netting Non-Retail BtM resource is required to operate with an output of 100 MW during a Maximum Emergency Generation condition, but only operates to a level of 75 MW, in the next year, the eligible netting from that resource will be reduced by 2.5 MW, which is the product of the following calculation: $[(100 - 75) \times .10]$].
- (35) Any reductions in netting will be applied in the succeeding calendar year with regard to transmission service, reactive service, and black start service, and the succeeding Planning Period with regard to netting related to capacity obligations.
- (36) A generator that moved behind the meter is not eligible to move back in front of the meter until the impact of the reduced netting penalty described in Rule 34 above has been rolled out.
- (37) Non-Retail BtMG may not schedule a unit outage in the months from June through September.

BtM Adjustment Process

- (38) Parties seeking a BtMG adjustment of any type must notify PJM at BTMG@pjm.com. The BtMG request must contain the following information:
 - Contact name, company, email address and phone number
 - Name of generation unit(s) and EIA plant and unit identification numbers
 - Summer net dependable rating of the unit(s)
 - Name of the applicable Load Serving Entity and Electric Distribution Company

- If applicable, written approval from the owner, lessee or operator of a distribution facility used to deliver energy from the BtM generator to load
 - For non-retail BtM generation, the phone number to be added to the PJM all-call list
- (39) PJM will respond to the request and coordinate data and information flow between all affected parties (customer, LSE, EDC, etc.) to determine eligibility, peak load adjustments, etc.

Revision History**Revision 27 (04/11/2014):**

- Two of the eSuite Applications have been renamed. Moving forward EES will be known as ExSchedule and eMTR will be known as Power Meter.

Revision 26 (11/01/2013):

- Section 7.1.2, Voltage and Reactive Control: Added applicability for individual generating units greater than 20 MVA.
- Section 7.3.5, Fuel Limitation Reporting: Replaced outdated reference to NERC Guidelines with reference to NERC Reliability Standards.
- Section 7.4 Synchronization and Disconnection Procedures: Added requirement for generators operating or scheduled to operate for PJM to notify PJM prior to attempting a restart following a trip or failure to start.
- Attachment D: PJM Generating Unit Reactive Capability Curve Specification and Reporting Procedures: Changed language in Real-Time PJM Unit Reactive Capability Reporting Process for Temporary Changes section for consistency with Sections 7.1.2 and 7.1.3.
- Attachment E, PJM Generator Reactive Capability Testing: Updated Exception Criteria chart and Sentence 6 in the Testing Requirements for Non-Wind Units Greater than 70 MW and Black Start Units section due to changes in the definition of critical load in Manual M-36.

Revision 25 (9/26/2013):

- Section 7.1.5, Generator Operation under Emergency Operating Conditions: Removed note from Capacity Shortage Procedures chart (Exhibit 8) that referenced a delay in implementation of the Unit Start-up and Notification Alert process until PJM tools and software are in place.

Revision 24 (07/01/2013):

- Introduction and multiple sections revised due to outdated references.
- Section 3.3, Voice Communication Requirements for Generating Entities: Updated with current information.
- Section 4, Data Exchange and Metering Requirements: Updated references, technology types, contacts and data requirements.
- Section 5.1, Market Options: Revised to include current reserve and capacity markets.
- Section 6, Pre-Operational Requirements: Updated references and technology.
- Section 7.1.1, Generator Real-Power Control: Revised for consistency with M-36.
- Section 7.1.2 Voltage and Reactive Control: Relocated statement regarding telemetered status of AVR and PSS to this section from Section 7.1.3.

- Section 7.1.3, Notification to PJM for Reactive Power Resource Status during Unit Start-up: Revised to reflect the changes in NERC Standard VAR-002-2b, R1, effective 7/1/2013.
- Section 7.3, Critical Information and Reporting Requirements: Added references to PJM Peak Period Maintenance Season and changed notification time from 30 minutes to 20 minutes for consistency with Section 7.4.
- Section 7.4, Synchronization and Disconnection Procedures: Revised to include notification times for synchronizing and disconnecting generators from the system.
- Section 8, Wind Farms Requirements: Revised to include references to Attachments L & M.
- Attachment A, New Generator Checklist: Updated requirements and references.
- Attachment H, PJM Generation and Transmission Interconnection Planning Process Flow Diagram, Revised for consistency with Manual M-14A.
- Attachment M, Wind Unit Dispatchability Check List: New attachment.

Revision 23 (04/01/2013):

- Revisions endorsed by MRC on 3/28/2013:
- Multiple Sections and Exhibit 12 – changed Power System Coordination Department to Generation Department, changed Customer Relations and Training Department to Member Relations Department, and changed PJM Market Monitoring Unit to Independent Market Monitor
- Section 4.1.4 EMS Data Exchange, Exhibit 2: Added data points required to participate in the PJM Regulation Market
- Section 5 Participation in PJM Markets: Revised language in multiple sections to reference the specific manuals applicable to the energy and ancillary services markets.
- Section 6.2 Training and System Operator Certification: Details replaced with references to PJM Manual M40, Training and Certification Requirements.
- Section 7.1.1, Generator Real-Power Control: Added reference to PJM M36, System Restoration in place of detailed frequencies
- Section 7.1.2 Voltage and Reactive Control: Revised language for clarity and consistency with Manual M-03, Transmission Operations, Section 3.3.3.
- Section 7.1.3 Notification to PJM for Reactive Power Resource Status during Unit Start-up: Added language regarding providing telemetered status of AVR and PSS to PJM.
- Section 7.1.5 Generator Operation under Emergency Operating Conditions, Exhibit 9: Corrected location of the note referencing the Unit Startup Notification Alert.
- Section 7.3.5 Fuel Limitation Reporting, Real Time Reporting: Updated CT information for consistency with Manual M13, Emergency Operations.
- Section 8.1 Computer System Data Exchange: Added reference to Wind Curtailment Indicator.
- Section 9.1.1 Generator Deactivation Request: Added PJM email address where deactivation requests are to be sent.

- Attachment E: PJM Generator Reactive Capability Testing: Added testing requirements for wind generating stations, clarification for nuclear unit minimum MVAR tests and additional language for units that claimed internal operational limitations.
- Attachment L: Wind Farm Communication Model: Added reference to Wind Curtailment Indicator.

Revisions endorsed by MRC on 2/28/2013:

- Section 10 Black Start Generation Procurement: Added new Section 10.1 and revised Section 10.2 per System Restoration Senior Strategy Task Force recommendations approved by the MRC 2/28/2013.

Revision 22 (02/28/2013):

- Administrative Change: update all references of “eSchedules” to “InSchedules”

Revision 21 (10/01/2012):

- Section 7.1.5: Generator Operation under Emergency Operating Conditions: New Alert type called Unit Start-up Notification Alert in Capacity Shortage Procedures Table to align with Manual M10 and M13 revisions.
- Section 8.3: Forecast Data Usage: New section 8.3.3 “Real-time Operating Reserve Settlement” referring to PJM use of Short Term Wind Power Forecast in calculation for Lost Opportunity Cost for Wind resources.
- Section 10.2: Cost-Based Components for Black Start Replacement; Deleted section in its entirety.

Revision 20 (07/20/2011):

- Section 4: Data Exchange and Metering Requirements: Edits to Section 4.1.6 to delete outdated SCADA details.
- Section 6: Pre-Operational Requirements: Edits to Section 6.3.3 to update and clarify test energy requirements for new interconnecting resources.
- Section 7: Generator Operations: Added new Section 7.1.3 to address notification of automatic voltage regulator and power system stabilizer status changes to PJM Dispatch.
- Attachment C: New PJM Customer Voice / All Call Communications Request Form: Replaced form with updated version

July 22, 2011: Corrected Revision number on page 7.

Revision 19 (10/01/2010):

- Incorporated Wind Farm Communication Model as Attachment L.

Revision 18 (June 1, 2010):

- Revised Attachment D, E, and F to remove redundancy and reorder.
- Modified Attachment E to change requirement to submit completed PJM Leading and/or Lagging Test Form R to PJM within 30 calendar days after completion of the testing (changed from 10 days).

- Added bullet 7 under Section Data Requirements in Attachment D, “Company can either test or apply the best engineering judgment to construct D-curve at min load points.”
- Added a line in Bullet 5 under Section Testing Requirements for both Units Larger than 70 MW and Black Start Units in Attachment E, “This requirement may require a departure from scheduled voltage during the test, provided no adverse effect on the validity of test results can be demonstrated.”

Revision 17 (01/01/2010):

- Updated section 7.1.2 – language for voltage schedule exemption (VAR-001/002)
- Added language to section 7.1.5 – Black Start units operators shall not permit their fuel inventory for Critical Black start CTs to fall below 10 hours – if it falls below this level, unit operators shall notify PJM and place the unit in Max Emergency

Revision 16 (10/01/2009):

- Section 4: Data Exchange and Metering Requirements: Updated Sections 4.2.2 and 4.2.3 to address metering requirements for distributed renewable generation.
- Section 6: Pre-Operational Requirements: Updated Sections 6.3.1 to address operations requirements for distributed renewable generation.
- Section 7: Generator Operations: Edits to voltage schedule details in Section 7.1.2.
- Section 8: Wind Farm Requirements: Minor edit in Section 8.1, updated Section 8.2.4 Generator Outage Reporting.
- Attachment D: PJM Unit Reactive Capability Curve Specification and Reporting Procedures: Updates in PJM Reactive Reserve Check (RRC) section.
- Attachment E: PJM Generator Reactive Capability Testing: Updates throughout “Testing Requirements for Units Larger than 70MW and Blackstart units” section; Replaced Lagging Form R and Leading Form R.
- Attachment F: Generator Reactive Testing Capability Procedures: Updates to Testing Procedure, Study Process Example, Communications and Coordination, Exit Strategy, and Results Reporting sections. Edits include identifying PJM Reliability Engineer as lead PJM coordinator for reactive testing process.

Revision 15 (04/01/2009):

- Section 4: Data Exchange and Metering Requirements: Updated Exhibits 4 and 5 to reflect the use of secure internet for small generators (100 MWs or less).
- Section 8: Wind Farm Requirements: Added new section describing Wind Farm Requirements
- Section 9: Generator Deactivations: Replaced PJM System Operations Generation Manager with PJM Power System Coordination Manager.
- Reactive Testing Attachments E & F: Renamed “Critical Steam” to “Near-term Steam” to avoid confusion with predefined Critical Infrastructure Facilities.
- Reactive Testing Attachments E & F: Added MOC requirement to review telemetered Generator MVAR accuracy with PJM Reliability Engineer in advance of commencing reactive test.

- Replaced “Control Area” with “Balancing Authority” to align with NERC definitions.

Revision 14 (12/17/2008):

- Added existing Behind the Meter Generation Business Rules as Appendix A.

Revision 13 (5/23/2008)

Section 4: Data Exchange and Metering Requirements

- Updated Exhibits 4 and 5 to reflect the use of secure internet for small generators (50 MWs or less).

Section 5 and Section 7

- Modified to provide clarity regarding requirement to update generator reactive capability curves (D-Curves) following planned unit upgrades.

Section 7: Generator Operations

- Changes for new Bulk Electric System definition.

Revision 12 (12/03/2007)

- Provided clarification to Attachment E: PJM Generator Reactive Capability Testing and Attachment F: Generator Reactive Capability Testing Procedures, specifically, the ability to test outside May 1 – September 30th window on an exception basis, requirement to perform lagging test for 1 hour, requirement to report test results to Operations Planning Department within 10 days, and requirement to review accuracy of MVAR telemetry prior to beginning the test.

Revision 11 (08/29/07)

Section 5: Participation in PJM Markets, Ancillary Services, Reactive Supply and Voltage Control from Generating Sources Service

- Added requirement for PJM to provide to the Generation Owner documentation of requirements for generator step-up transformer tap changes.

Section 7: Generator Operations, Critical Information and Reporting Requirements

- Added requirement for the Generator Operator to notify PJM of a status or capability change on any generator Reactive Power resource.

Attachment E: PJM Generator Reactive Capability Testing

- Modified Lagging Form R and Leading Form R to indicate that readings for Hour 2 are entered only if required.

Revision 10 (05/15/2007)

General Changes:

- Renamed references to Control Center Requirements and Dispatching Operations Manuals as Control Center and Data Exchange Requirements and Balancing Operations Manuals respectively.

Section 1: Black Start Replacement Process

- Changed Generation Department to Power System Coordination Department in section on Generator Commercial Naming Convention.

Section 8: Generator Deactivations

- Changed Generation Department to Power System Coordination Department in the text and in the process flow chart.

Section 9: Black Start Replacement Process - Process Flow Diagram

- Changed Generation Department to Power System Coordination Department.

Section 10: Generator Data Confidentiality Process

- Changed Generation Department to Power System Coordination Department.

Attachment D: PJM Generating Unit Reactive Capability Curve Specification and Reporting Procedures

- Changed Generation Department to Power System Coordination Department.
- Attachment E: PJM Generator Reactive Capability Testing
- Clarified testing requirement as 20% of number of eligible assets per year.
- Attachment F: Generator Reactive Capability Testing Procedures
- Changed Generation Department to Operations Planning Department.
- Attachment K: Template Letter for a TO Seeking Generator Data
- Changed Generation Department to Power System Coordination Department.

Revision 09 (12/18/06)

Attachment E: PJM Generator Reactive Capability Testing

- Updated to reflect new exception criteria for PJM leading/lagging reactive tests.

Attachment F: Generator Reactive Capability Testing Procedures

- Updated to reflect new exception criteria for PJM leading/lagging reactive tests.
- References to eMarket changed to eMKT throughout.
- Definition of FTR changed to financial transmission rights (Section 5).
- Introduction trimmed to eliminate redundant information.
- Revision History permanently moved to the end of the manual.

Revision 08 (07/24/06)

Section 9: Black Start Replacement Process

- Updated to include new triggers for Black Start Replacement Process.
- Updated to reference the recently defined Minimum Critical Black Start Requirement.
- Updated PJM List of Manuals (Exhibit 1).

Revision 07 (06/19/06)

Section 5: Participation in PJM Markets

- Change “unit” references to “resource” as they apply to Demand Side Response providing Ancillary Services.

- Change “Spinning” references to “Synchronized” as they apply to Demand Side Resources providing Ancillary Services.
- Added Attachment F: Generator Reactive Capability Testing Procedures and re-lettered all following attachments.

Revision 06 (12/15/05)

- Update to Attachment C on New PJM Customer Voice/All Call Communications Request Form to reflect most current version of the form.

Revision 05 (08/10/05)

- Added new Section 9: Black Start Replacement Process.
- Moved old Section 9: Generator Data Confidentiality Procedures to Section 10.

Revision 04 (04/12/05)

- Modified Section 8 to include revised Generation Deactivation process and procedures as approved by FERC on January 25, 2005.

Revision 03 (02/01/05)

- Addition of new Section 9 on PJM Generator Data Confidentiality Procedures
- Update to Attachment D on PJM Generating Unit Reactive Capability Curve Specification and Reporting Procedures to incorporate recent changes to the Reactive Reserve Check (RRC) Reporting process.
- Addition of new Attachment E on PJM Generator Reactive Capability Testing. Current Attachments E and F have been renamed to Attachments F and G respectively.
- Addition of new attachment H including the Generator Data Confidentiality Agreement.
- Addition of new attachment I including the Generator – Data Release Matrix
- Addition of new attachment J including a template letter for a Transmission Owner seeking generator data within its zone to be released by PJM
- Update to Section 7 on Generator Operations to include new seasonal review of PJM generator reactive capabilities and reference to new Attachment E.

Revision 02 (03/10/04)

- Added new Section 8 on Generator Deactivations.

Revision 01 (12/31/03)

- Update format
- Renumber exhibits

Revision 00 (04/04/03)

This revision is the initial release of the PJM Manual for *Generator Operational Requirements (M-14D)*. This manual is one among the four new manuals obtained from splitting the original PJM Manual for *Generator Interconnections and Operations (M-14)*.

The summary of revisions for this manual follows:

- Added new Section 1 on Generator Markets & Operations.

- Added new Section 2 on Responsibilities of Generation Owners.
- Added new Section 3 on Control Center Requirements based on excerpts from PJM Manual M-01 on Control Center and Data Exchange Requirements (Section 2 & 3).
- Added new Section 4 on Data Exchange and Metering Requirements based on excerpts from old PJM Manual M-14 on Generation Interconnections and Operations (Sections 2 & 5).
- Added new Section 5 on Participation in PJM Markets based on excerpts from old PJM Manual M-14 on Generation Interconnections and Operations (Sections 3 & 4).
- Added new Section 6 on Pre-Operational Requirements based on excerpts from old PJM Manual M-14 on Generation Interconnections and Operations (Sections 4 & 5).
- Added new Section 7 on Generator Operations based on excerpts from old PJM Manual M-14 on Generation Interconnections and Operations (Sections 4 & 5), PJM Manual M-3 on Transmission Operations (Section 3), and PJM Manual M-13 on Emergency Operations (Section 5).