



eDART December 2017 Release Enhancements

eDART XML Users Group Meeting
11/21/2017



- Production release of December enhancements scheduled for Wednesday, December 13th.
 - eDART will be unavailable from 19:00 to 02:00 on Thursday, December 14th.
- Enhancements currently available in Sandbox.
- Coordinated Testing in Sandbox (TBD)
 - SMEs available to perform PJM functions e.g. update tickets (lock, approve, activate, recall, etc.) as needed.
 - Members confirm all functionalities frequently used.

- **December 2017 Enhancements**
 - Updates to Reactive Reserve Check (RRC) Uploads and Downloads
 - Enhancements to TERM Tickets Download
 - Miscellaneous
- Other Discussion Topics
- Question & Answer Resolution Session

- Issue with incorrect date and timestamps fixed for the following downloads:
 - RRC Selfcheck
 - RRC Full
- PJM Note added to RRC Full download.
 - Tag name: to_notes
 - PJM can include notes on the RRC for specific TOs.

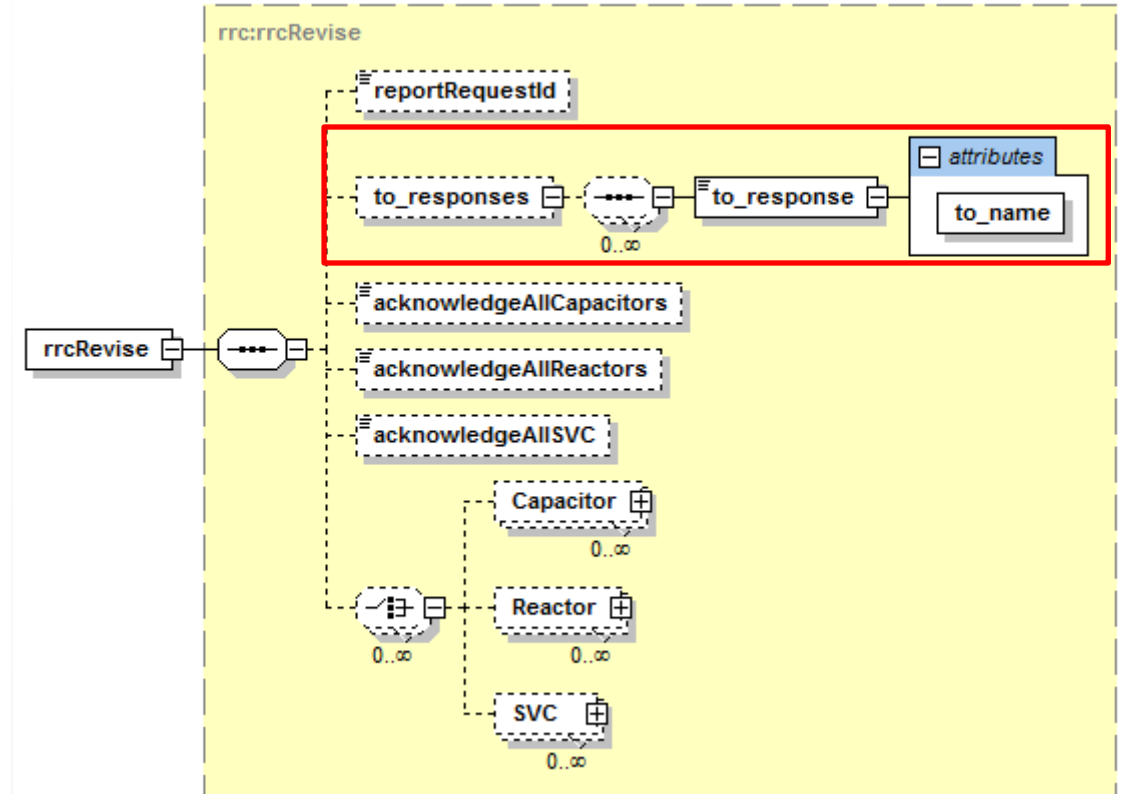
- RRC Full download tags updated to match corresponding fields on the web user interface.
- Multiple to_notes and to_response allowed for the case where the eDART company is multiple companies in one.

Web UI	XML Tag - Old	XML Tag - New
Description	toGenericComments	description
Company	company	to_name
RRC Note to All Companies	toComments	to_generic_note
Company Response	notesPJM	to_responses
PJM Note		to_notes

- RRC Revise updated to allow multiple to_response for the case where the eDART company is multiple companies in one.

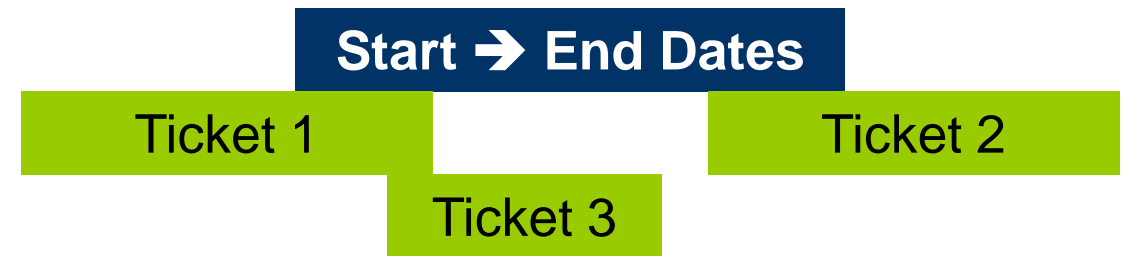
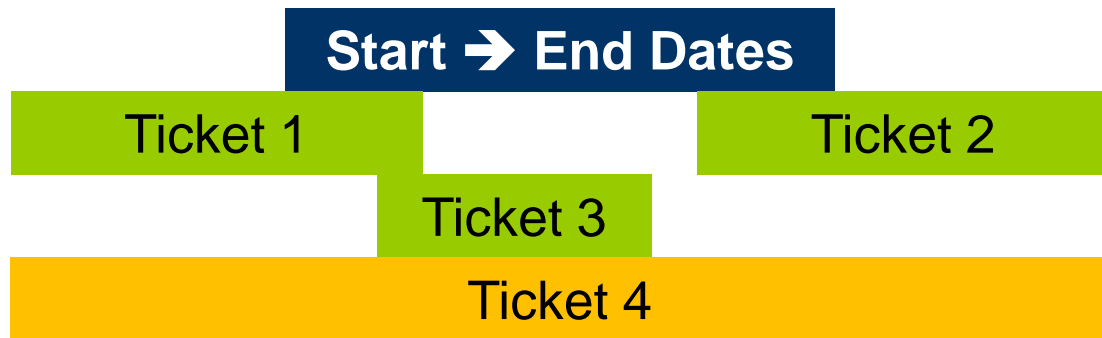
```

<?xml version="1.0" encoding="UTF-8" ?>
<rrc:rrcRevise xmlns:xsi="http://www.w3.org/2001/XMLSchema-instance"
  <reportRequestId>658</reportRequestId>
  <to_responses>
    <to_response to_name="ABC">ABC note to PJM</to_response>
    <to_response to_name="DEF">DEF note to PJM</to_response>
  </to_responses>
  <acknowledgeAllCapacitors>true</acknowledgeAllCapacitors>
  <acknowledgeAllReactors>true</acknowledgeAllReactors>
  <acknowledgeAllSVC>true</acknowledgeAllSVC>
  <Capacitor ta_id = "242">
    <ratedMVAR>5</ratedMVAR>
  </Capacitor>
</rrc:rrcRevise>
  
```



Update to TERM Tickets by Date Download

- Current functionality: downloads tickets occurring during start and stop/end dates duration provided.
- New functionality: downloads tickets starting and ending during the start and stop/end dates duration provided.



- Check included to prevent the creation of TERM tickets for retired equipment.
- TERM Tickets that do not meet the requirement of at least 3% separation between Load Dump and Long Term values can now be submitted.
 - Tickets were previously rejected.
 - Current error message returned on submission of these tickets will be a warning.
 - Note that these tickets will be subject to review and possible denial by PJM after submission.

- Extra eDART end tags have been removed from Control Zones download.
- Fixed issues with eDART response to genticrevise upload.
 - 2 instances of "<?xml version='1.0' encoding='utf-8'?> "
 - <edartreply> end tag missing.
 - < ticket_info > end tag missing.

- December 2017 Enhancements
- Other Discussion Topics
 - Future Enhancements
 - eDART Refresh Updates
 - Updates to eDART Registration Page
 - Cold Weather Prep GO Survey
 - Proposal for Company Management Functionality
- Question & Answer Resolution Session

- MVAR Test Tickets:
 - New field for telemetry verification dates per M14D, E.4.1.
 - Will be used to auto-populate Telemetry Verified Date section on Reactive Capability Testing Form.
- Global Include Historical flag:
 - By default, downloads will return current information; user can use flag to specifically request historical information.
 - Will help reduce size of files transferred and improve performance.
- New download of Transmission tickets with Restoration Plan Review Needed = Yes or TBD.



Legend

- Start Date
- ◆ End Date

Current timeline for Web UI refresh

- 2017 (Beginning)
 - User Experience Analysis and Design
 - Requirements gathering
- 2018
 - User accounts mapping to Account Manager
 - Work planning (overall project schedule & web UI page sequencing)
 - Web UI refresh
 - Progress review

- User Experience Analysis for the eDART Refresh is ongoing.
 - Users of the eDART web UI and browserless interface interested in providing feedback should contact Chidi Ofoegbu.
- Meeting will be scheduled in January 2018 to discuss replacement service for browserless interface.

- 10/30 updates to eDART Registration Form:
 - Option to reinstate user access added.
 - Company Contact required to indicate access type to be granted to reinstated user account.
 - Email sent to users requesting eDART Transmission access with information on submitting the CELL approval request.

- On November 1, 2017, PJM issued the 2017 PJM eDART GO Survey for Cold Weather Preparation Checklist.
- PJM requires that generating resources complete the survey no later than **23:59 EPT on December 15, 2017.**
 - An e-mail notification was sent out to PJM's eDART GO Survey contacts advising of the GO Survey along with the relevant instructions.
 - Questions pertaining to the eDART GO Survey for Cold Weather Preparation Checklist can be sent via email to edartgosurvey@pjm.com.

- Request for a ability to use one eDART user account to manage multiple company accounts.
 - Current set up requires user to have separate accounts for all managed company accounts.
- Proposal:
 - GO/TO requests one (or more) of the GO/TO's read/write users to be set up as an admin (paperwork).
 - Company Agent requests one (or more) of the Company Agent's read/write users to be set up as an admin (paperwork).

- GO/TO Admin logs into eDART and selects a prospective Company to be Company Agent.
 - Prospective Company Agent Admin confirms (Or Rejects) the Company Agent selection with notification back to original GO/TO Admin.
 - A confirmed Company Agent's users will be able to perform the same eDART functions as GO/TO.

- December 2017 Enhancements
 - Updates to Reactive Reserve Check (RRC) Uploads and Downloads
 - Enhancements to TERM Tickets Download
- Other Discussion Topics
 - Future Enhancements
 - eDART Refresh Updates
 - Updates to eDART Registration page
- Question & Answer Resolution Session

- edarthelp@pjm.com
- Chidi Ofoegbu: chidi.ofoegbu@pjm.com
- Vy Le: vy.le@pjm.com