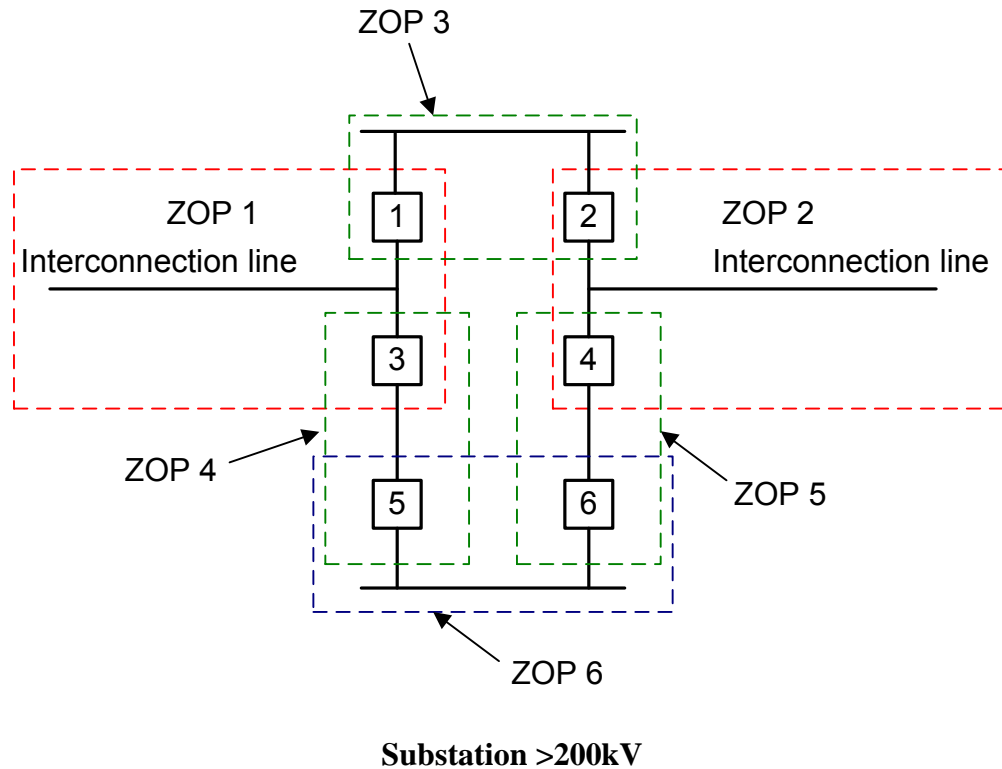


ZOP – Zone of Protection

For discussion:

- 1) General agreement that the design and engineering for ZOP 1 and ZOP 2 is governed by PJM M7 AND the Local TO standards.
- 2) General agreement that the design and engineering the breaker failure schemes for all 4 breakers shown above are governed by PJM M7 AND the Local TO standards
- 3) Discussion on what governs design and engineering for ZOP 3 and ZOP 4.



For discussion:

- 1) General agreement that the design and engineering for ZOP 1 and ZOP 2 is governed by PJM M7 AND the Local TO standards.
- 2) General agreement that the design and engineering for ZOP 6 is governed by PJM M7.
- 3) General agreement that the design and engineering the breaker failure schemes for breakers 1, 2, 3 and 4 shown above are governed by PJM M7 AND the Local TO standards.
- 4) Discussion on what governs design and engineering for ZOP 3, ZOP 4 and ZOP 5.
- 5) Discussion on what governs design and engineering for the breaker failure schemes on breakers 5 and 6.

